

Parker/Commercial Intertech Pump Repair Kits

Contents	Page
Identifying Pumps & Motors	984
Pump/Motor Seal Kits	985 - 987
Repair Parts	988
Parts Breakdown	
• C101/102 Parts Breakdown	989
• G101/102 Parts Breakdown	990
• P20 Parts Breakdown	991
• P30 Parts Breakdown	992
• P31 Parts Breakdown	993
• P50 Parts Breakdown	994
• P51 Parts Breakdown	995
• P75 Parts Breakdown	996
• P76 Parts Breakdown	997
• P330 Parts Breakdown	998
• P350 Parts Breakdown	999
• P365 Parts Breakdown	1000

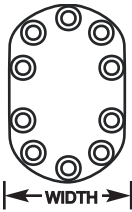
IDENTIFYING PUMPS & MOTORS



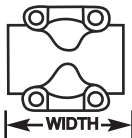
By the Shape and Size of the Port End Cover

1. Look at the Unit from the Port End, see which example it matches the closest. Include the Shape, Size, and most importantly the Bolt Pattern.
2. Measure the overall width of the Unit, then match the width to the chart beside the Port End you chose in step #1.
3. If there is not a "See Also" block on the chart you used, then you've identified the Unit. Otherwise move to step #4.
4. A Numbered Note marker will direct you to the next step or steps.

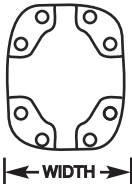
PORT END VIEW



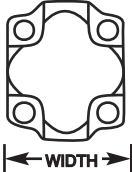
Series	"D"
Width	4.50



Series	315	330	350	365
Side Ported Width	4.25	6.68	7.12	7.38
Unported Width	4.00	4.81	5.75	6.25



Series	37X	75/76	125
Width	5.12	6.13	7.00
See Also		②	



Series	15H	25X	20	30/31	50/51
Width	4.38	4.94	4.50	4.81	4.94
See Also		①		②	①②

1 - SHAFT END VIEW

Look at the Unit from the Shaft End, compare it to the views below. Select the Shaft type on your Unit.

SERIES 31/51



25X/37X



2 - DISASSEMBLE UNIT

This step requires the Port End Cover of the Unit to be removed & inspected for Dowel Pins. This is the only way to tell the difference between some Series.

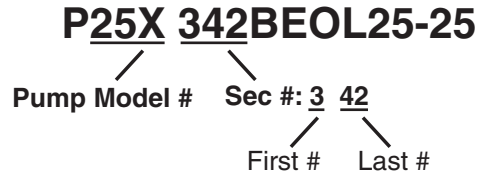
Series 31/51/76: Assembled with Dowel Pins.

**Call Our Component Sales Team
If You Need More Assistance**

PUMP/MOTOR SEAL KITS



Identify kits by using model and shaft end cover numbers. Example:



P20 SERIES

Kit Part #	Application	SEC First #	SEC Last #	Price
Pumps CM-P20SPSK		1, 2, 3, 4, 5, 6	05, 27, 42, 91, 92, 94, 96, 97	\$ 15.42
Motors CM-M20SPSK		8, 9, 19	05, 10, 42, 94, 97	3.02
Multiple Section Pumps & Motors CM-MP20MSSK Note: Use 1 Kit per section in a multi-section Pump or Motor				\$ 3.02

25X SERIES

Kit Part #	Application	SEC First #	SEC Last #	Price
Pumps CM-P25SBSKT1	Type I, Single Bearing	1, 2, 3	00, 01, 02, 03, 06, 40, 41, 42, 78, 79, 97, 98	\$18.54
CM-P25SBSKT2	Type II, Single Bearing	1, 2, 3	04, 05, 07	18.45
CM-P25DBSK	Type II, Double Bearing	6, 8	00, 42, 78, 97, 98	23.63
Motors CM-M25SBSKT1	Type I, Single Bearing	7, 9	00, 01, 02, 03, 06, 40, 41, 42, 78, 79, 95, 97, 98	\$26.86
CM-M25SBSKT3	Type II, Single Bearing	7, 9	04, 05, 07	29.87
CM-M25DBSK	Type II, Double Bearing	8	00, 42, 47, 78, 97, 98	25.47
Multiple Section Pumps & Motors CM-MP25MSSK Note: Use 1 Kit per section in a multi-section Pump or Motor				\$ 3.07

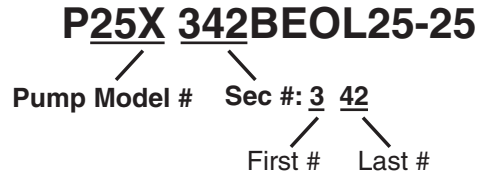
30 SERIES

Kit Part #	Application	SEC First #	SEC Last #	Price
Pumps CM-P30SPSK		1 - 6	05 - 97	\$12.58
Motors CM-M30SPSK	Type I, Single Bearing	8 - 9	05 - 94	33.31
Multiple Section Pumps & Motors CM-MP30MSSK Note: Use 1 Kit per section in a multi-section Pump or Motor				\$ 3.25

PUMP/MOTOR SEAL KITS



Identify kits by using model and shaft end cover numbers. Example:



37X SERIES

Kit Part #	Application	SEC First #	SEC Last #	Price
Pumps CM-P37SBSK	Type I, Single Bearing	1, 2, 3	11, 12, 23, 42, 63, 77, 78, 81, 97	\$ 20.36
Motors CM-M37SBSK	Type I, Single Bearing	7, 9	11, 12, 23, 42, 63, 78, 81, 97, 98	24.98
CM-M37DBSK	Type II, Double Bearing	8	11, 42, 78	24.98
Multiple Section Pumps & Motors CM-MP30MSSK Note: Use 1 Kit per section in a multi-section Pump or Motor				\$ 3.25

50 SERIES

Kit Part #	Application	SEC First #	SEC Last #	Price
Pumps CM-P50SPSK		1 - 6	00 - 98	\$ 21.02
Motors CM-M50SPSK		8 - 9	00 - 98	28.91
Multiple Section Pumps & Motors CM-MP50MSSK Note: Use 1 Kit per section in a multi-section Pump or Motor				\$ 3.58

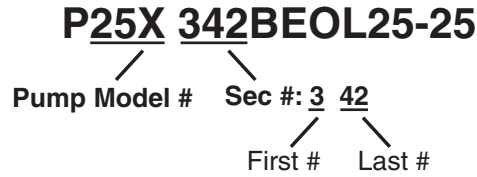
75 SERIES

Kit Part #	Application	SEC First #	SEC Last #	Price
Pumps CM-P75SPSK		1 - 6	42 - 98	\$ 50.20
Motors CM-M75SPSK		8 - 9	42 - 98	59.90
Multiple Section Pumps & Motors CM-MP75MSSK Note: Use 1 Kit per section in a multi-section Pump or Motor				3.40

PUMP/MOTOR SEAL KITS



Identify kits by using model and shaft end cover numbers. Example:



330 SERIES

Kit Part #	Application	SEC First #	SEC Last #	Price
Pumps CM-P330SPSK		All Pumps		\$ 41.52
Motors CM-M330SPSK		All Motors		100.54
Multiple Section Pumps CM-P330MSSK Note: Use 1 Kit per section in a multi-section Pump or Motor				49.91

350 SERIES

Kit Part #	Application	SEC First #	SEC Last #	Price
Pumps CM-P350SPSK		All Pumps		\$ 41.52
Motors CM-M350SPSK		All Motors		100.54
Multiple Section Pumps CM-P350MSSK Note: Use 1 Kit per section in a multi-section Pump or Motor				30.93

365 SERIES

Kit Part #	Application	SEC First #	SEC Last #	Price
Pumps CM-P365SPSK		All Pumps		\$ 49.66
Motors CM-M365SPSK		All Motors		87.41
Multiple Section Pumps CM-P365MSSK Note: Use 1 Kit per section in a multi-section Pump or Motor				29.74

REPAIR PARTS



Standard Series Pump Parts

PUMP REPAIR KITS

Description	Engineering #	Part #	Price
P20/30/31 SERIES			
Snap Ring	X134-206	CM-391-2686-063	\$ 3.15
Outboard Bearing	X69-40	CM-391-0381-040	32.02
Seal (pump)	X73-37-16	CM-391-2883-058	2.76
Check Assemblies	M1391K	CM-391-3681-001	2.40
Plug	T1391	CM-391-2286-004	0.98
Spacer	VB1669-2	CM-391-3383-069	16.89
Seal Retainer	AE1669	CM-391-3381-040	15.87
Hi Pressure Seal	X73-50-9	CM-391-2883-119	19.54
Ring Seals	LB1669-1	CM-391-2585-006	10.23
Roller Bearings	Y1032	CM-391-0381-906	21.98
Thrust Plates	AA1058	CM-391-2185-913	48.60
P50/51 SERIES			
Snap Ring	X134-283	CM-391-2686-063	\$ 3.15
Outboard Bearing	X69-58	CM-391-0381-040	32.02
Seal (pump)	X73-37-17	CM-391-2883-058	2.76
Check Assemblies	M1391K	CM-391-3681-001	2.40
Plug	T1391	CM-391-2286-004	0.98
Spacer	VB1669-1	CM-391-3383-069	16.89
Seal Retainer	AC1669	CM-391-3381-040	15.87
Hi Pressure Seal	X73-50-8	CM-391-2883-119	19.54
Ring Seals	NB1669-1	CM-391-2585-006	10.23
Roller Bearings	S1032	CM-391-0381-906	21.98
Thrust Plates	Y1058	CM-391-2185-913	48.60
P75/76 SERIES			
Snap Ring	X96-315	CM-391-2686-025	\$ 7.32
Outboard Bearing	X69-59	CM-391-0381-078	56.06
Spacer	VB1669	CM-391-3383-018	24.04
Seal Retainer	RA1072	CM-391-2584-051	39.98
O Ring	L3006-164	CM-391-2881-457	0.45
Seal (pump)	X73-37-10	CM-391-2883-052	8.85
(motor)	X73-50-1	CM-391-2883-094	31.32
Check Assemblies	M1391K	CM-391-3681-001	2.40

Description	Engineering #	Part #	Price
P75/76 SERIES			
Plug	T1391	CM-391-2286-004	\$ 0.98
Ring Seals	WB1669-1	CM-391-2585-011	14.87
Roller Bearings	R1032	CM-391-0381-904	48.02
Pocket Seals	BA3026-6	CM-391-2882-084	3.92
Thrust Plates	BA1058	CM-391-2185-920	121.45
P330 SERIES			
Snap Ring		300-206	\$ 3.15
Outboard Bearing	X69-40	CM-391-0381-040	32.02
Seal	X73-37-16	CM-391-2883-058	2.76
Bushings	(330) BUSHINGS	CM-391-0482-306	14.86
Channel Seal	P330 CHNL SEAL	CM-391-2885-065	3.22
Thrust Plates	P330 THRUST PLT	CM-391-2185-956	63.66
Gasket Seal	SOR-75NBR-4x1/8-C/S	580-242	0.84
Dowel Pins (Solid)	P31 DOWEL PINS	CM-391-2082-032	3.51
P350 SERIES			
Snap Ring		WHM-283	\$ 10.25
Outboard Bearing	X69-58	CM-391-0381-077	47.02
Seal	X73-37-16	CM-391-2883-103	7.66
Bushings	(330) BUSHINGS	CM-391-0482-308	15.70
Channel Seal	P330 CHNL SEAL	CM-391-2885-066	3.22
Thrust Plates	P330 THRUST PLT	CM-391-2185-957	64.10
Gasket Seal	SOR-75NBR-4.5x1/8-C/S	580-246	1.25
Dowel Pins (Solid)	P31 DOWEL PINS	CM-391-2082-032	3.51
P365 SERIES			
Snap Ring		300-315	\$ 8.74
Outboard Bearing	X69-59	CM-391-0381-078	56.06
Seal	X73-37-10	CM-391-2883-052	8.85
Bushings	BUSHING 365	CM-391-0482-307	22.44
Channel Seal	CHANNELSEAL	CM-391-2885-064	1.82
Thrust Plates	P365 THRUST PLT	CM-391-2185-055	52.18
Gasket Seal	SOR-75NBR-5x1/8-C/S	580-250	1.79
Dowel Pins (Solid)	PIN,DOWEL	CM-391-2082-062	2.29

C101/C102 PARTS BREAKDOWN

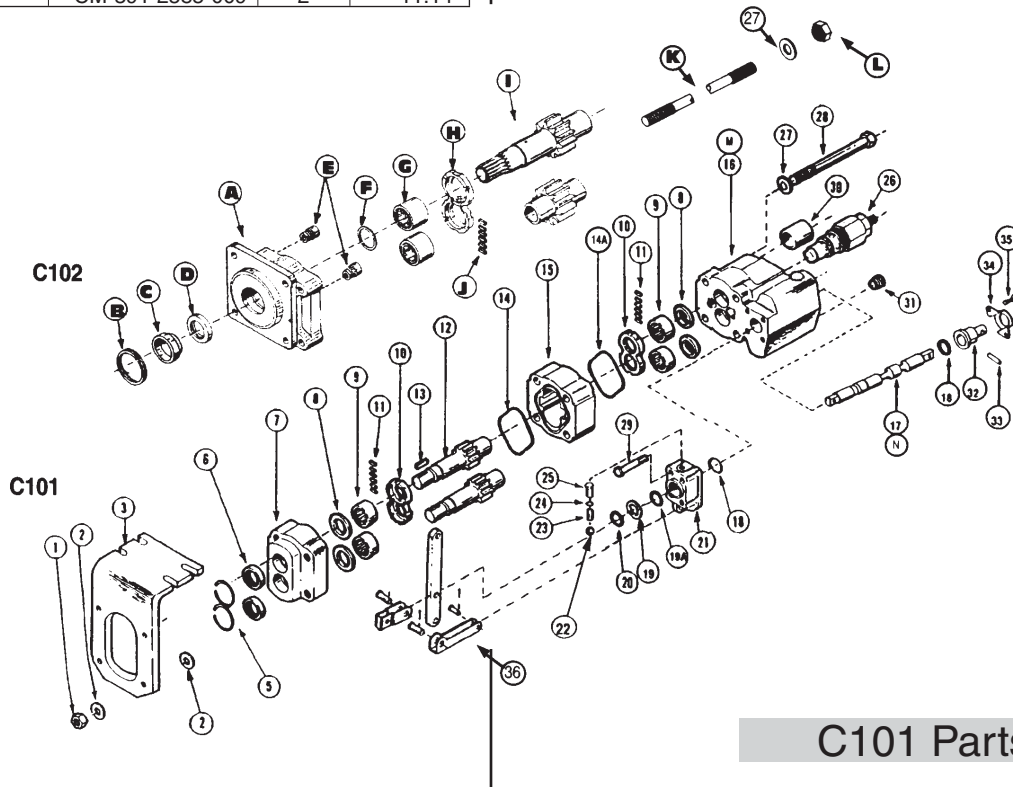


Seal Kit for C101 - CM-HC101
Seal Kit for C102 - CM-HC102

Typical Parts

Item	Description	Part #	Req	Price
A	Shaft End Cover	For reference only	1	N/A
B	Snap Ring	CM-391-2686-065	1	\$ 4.18
C	Seal Retainer	CM-391-3383-087	1	6.06
D	Lip Seal	CM-391-2883-115	1	38.39
E	Check Assembly	CM-393-3681-001	2	N/A
F	Ring Seal	CM-391-2585-009	2	11.14

Item	Description	Part #	Req	Price
G	Roller Bearing	CM-391-0381-905	4	\$ 33.44
H	Thrust Plate	CM-391-2185-912	2	49.08
J	Pocket Seal	CM-391-2882-050	12	0.72
M	Port End Cover	For reference only	1	N/A
N	Valve Spool	For reference only	1	N/A



C101 Parts List

Item	Description	Part #	Req	Price
1	Hex Nut	For reference only	4	N/A
2	Washer	For reference only	8	N/A
3	Bracket (optional)	For reference only	1	N/A
5	Snap Ring	CM-391-2681-493	2	\$ 3.26
6	Lip Seal	CM-391-2883-096	2	30.46
7	Shaft End Cover	For reference only	1	N/A
8	Ring Seal	CM-391-2585-009	4	11.14
9	Roller Bearing	CM-391-0381-905	4	33.44
10	Thrust Plate	CM-391-2185-916	2	50.19
11	Pocket Seals	CM-391-2882-050	12	0.72
12	Gear Set 2"	For reference only	1	N/A
	2 1/2"	For reference only	1	N/A
13	Shaft Key	For reference only	1	N/A
14	Gasket Seal	For reference only	2	N/A
15	Gear 2"	For reference only	1	N/A
	Housing 2 1/2"	For reference only	1	N/A
16*	Port End Cover	For reference only	1	N/A
17*	Valve Spool	For reference only	1	N/A
18	"O" Ring	CM-391-2881-103	2	0.16
19A	Wiper Ring	CM-391-2883-147	1	1.60
19	Retainer Ring	CM-391-3782-126	1	1.95
20	Snap Ring	CM-391-2688-003	1	1.81

Item	Description	Part #	Req	Price
21	Detent Cap	For reference only	1	N/A
22	Detent Ball	For reference only	1	N/A
23	Detent Spring	For reference only	1	N/A
24	Lock Washer	For reference only	1	N/A
25	Detent Retainer	For reference only	1	N/A
26	Relief Valve	For reference only	1	N/A
27	Washer	For reference only	4	N/A
28	Cap Screw 2"	For reference only	4	N/A
	2 1/2"	For reference only	4	N/A
29	Cap Screw	For reference only	4	N/A
30	Sleeve (optional)	For reference only	1	N/A
31	Pipe Plug - 1" NPT	For reference only	1	N/A
32	Spool End Cap	For reference only	1	N/A
33	Spiral Pin	For reference only	1	N/A
34	Bracket	For reference only	1	N/A
35	Socket Hd.	For reference only	2	N/A
36	Cap Screw	For reference only	1	N/A
	Hand Ass'y (optional)	For reference only	1	N/A

*Items 16, 17 M and N are not serviceable parts.

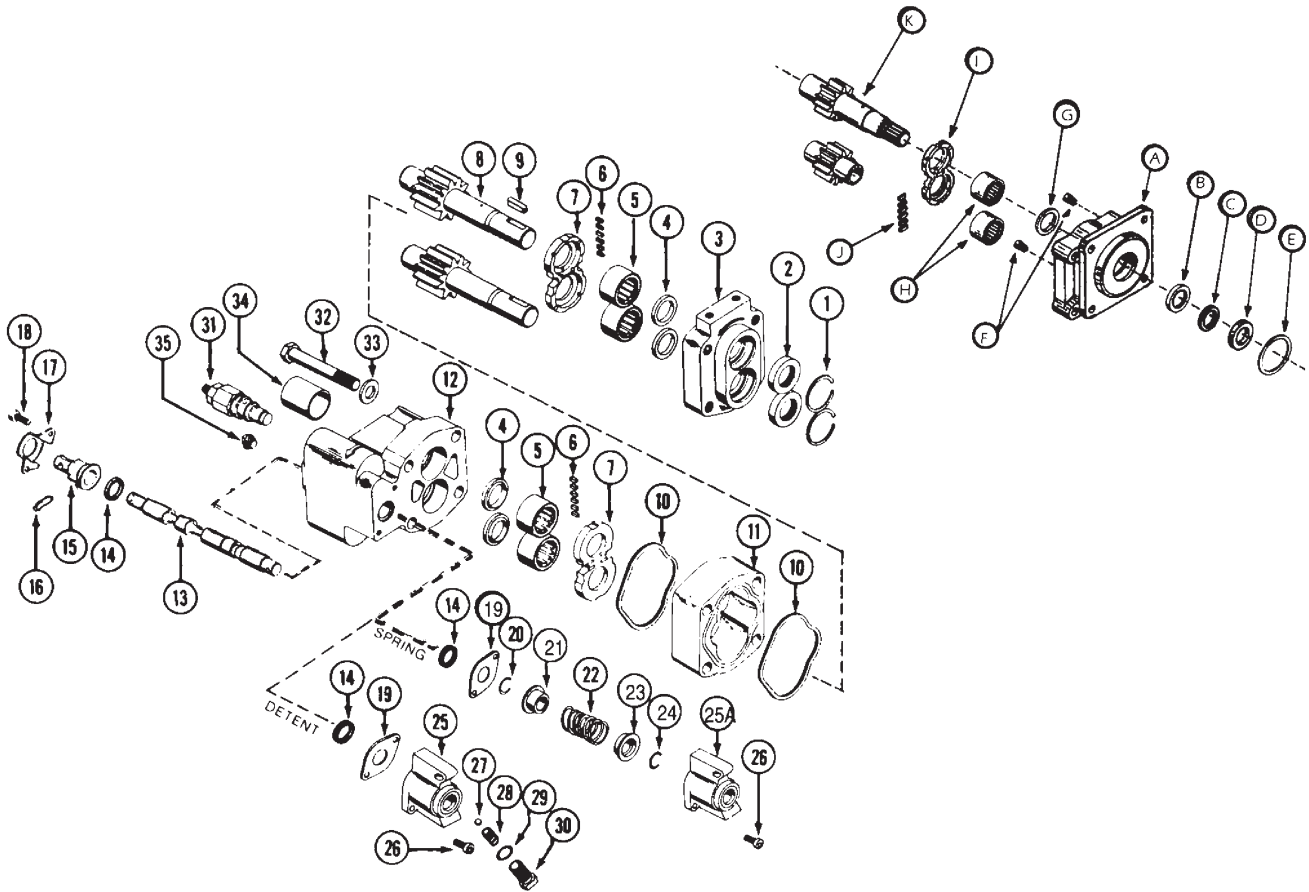
G101/G102 PARTS BREAKDOWN



Seal Kit for G101 - CM-HG101
Seal Kit for G102 - CM-HG102

Item	Description	Part #	Req	Price
B	Lip Seal	CM-391-2883-119	1	\$ 19.54
C	Seal Retainer	CM-391-3381-040	1	15.87
D	Spacer	CM-391-3383-069	1	16.89
E	Snap Ring	CM-391-2686-063	1	3.15
F	Checks	CM-391-3681-001	2	2.40

Item	Description	Part #	Req	Price
G	Ring Seal	CM-391-2585-006	2	\$ 10.23
H	Roller Bearing	CM-391-0381-906	4	21.98
I	Thrust Plate	CM-391-2185-913	2	48.60
J	Pocket Seal	568C-093	1ft	0.72



PUMP REPAIR KITS

Item	Description	Part #	Req	Price
1	Snap Ring	CM-391-2681-487	2	\$ 2.94
2	Lip Seal	CM-391-2883-119	2	19.54
4	Ring Seal	CM-391-2585-006	4	10.23
5	Roller Bearing	CM-391-0381-906	4	21.98

Item	Description	Part #	Req	Price
6	Pocket Seal	568C-093	1ft	\$ 0.72
7	Thrust Plate	CM-391-2185-913	2	48.60
14	Quad Ring Seal	CM-391-1985-014	2	1.58

P20 PARTS BREAKDOWN



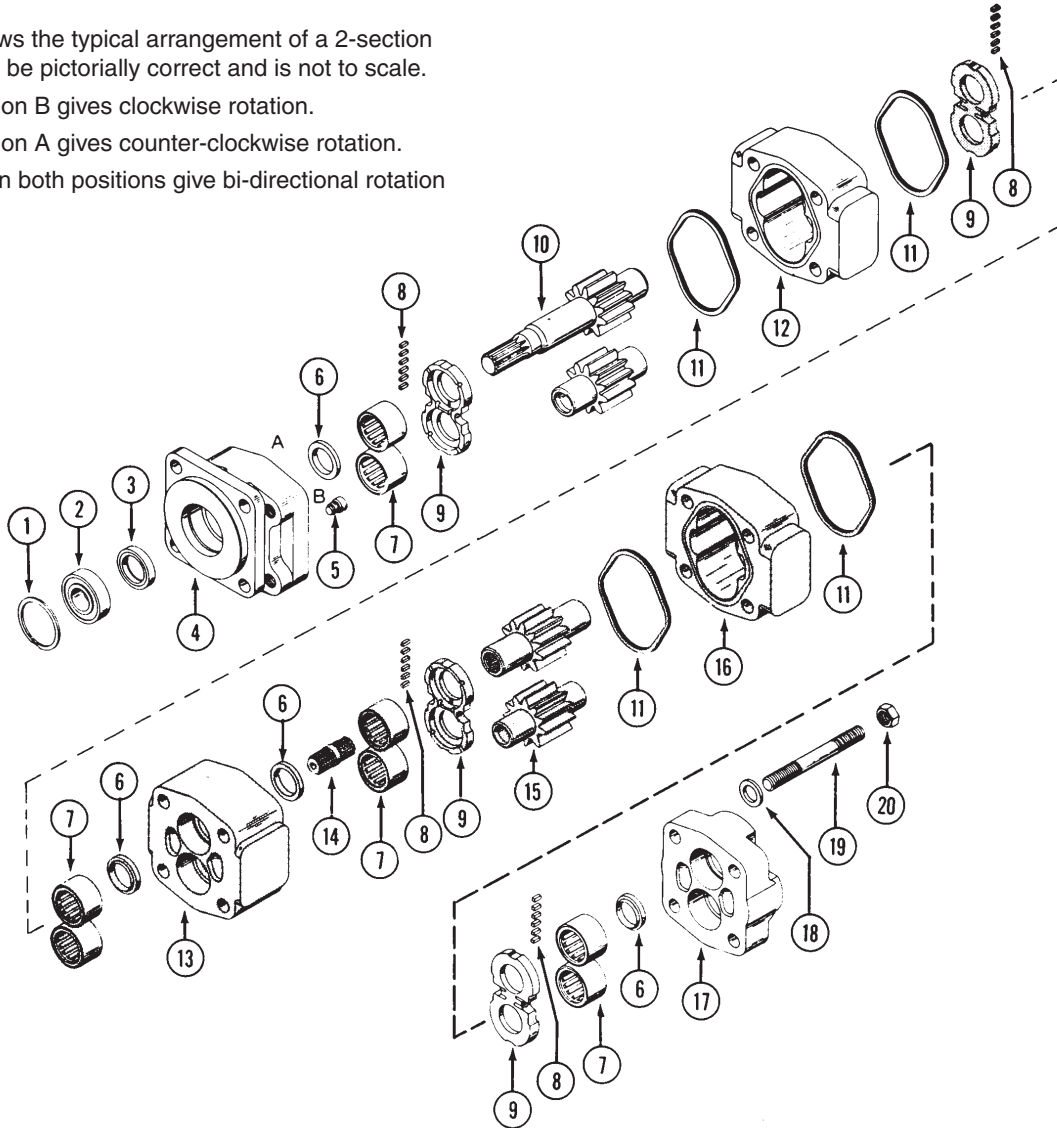
Note:

This page shows the typical arrangement of a 2-section unit. It may not be pictorially correct and is not to scale.

Plug 5 in position B gives clockwise rotation.

Plug 5 in position A gives counter-clockwise rotation.

Check valves in both positions give bi-directional rotation



Item	Description	Part #	Price
1	Snap Ring	CM-391-2686-063	\$ 3.15
2	Outboard Bearing	CM-391-0381-040	32.02
3	Seal	CM-391-2883-058	2.76
4	Shaft End Cover	For reference only	N/A
5	Check Assemblies or Plug	CM-391-3681-001	2.40
6	Ring Seals	CM-391-2585-006	10.23
7	Roller Bearings	CM-391-0381-906	21.98
8	Pocket Seals	568C-093	0.72
9	Thrust Plates	CM-391-2185-913	48.60
10	Integral Drive Shaft and Gear Set	For reference only	N/A

Item	Description	Part #	Price
11	Gasket Seals	580-239	\$ 0.82
12	Gear Housing	For reference only	N/A
13	Bearing Carrier	For reference only	N/A
14	Connecting Shaft	For reference only	N/A
15	Matched Gear Set	For reference only	N/A
16	Gear Housing	For reference only	N/A
17	Port End Cover	For reference only	N/A
18	Washers	For reference only	N/A
19	Studs or Cap Screws	For reference only	N/A
20	Nuts	For reference only	N/A

P30 PARTS BREAKDOWN



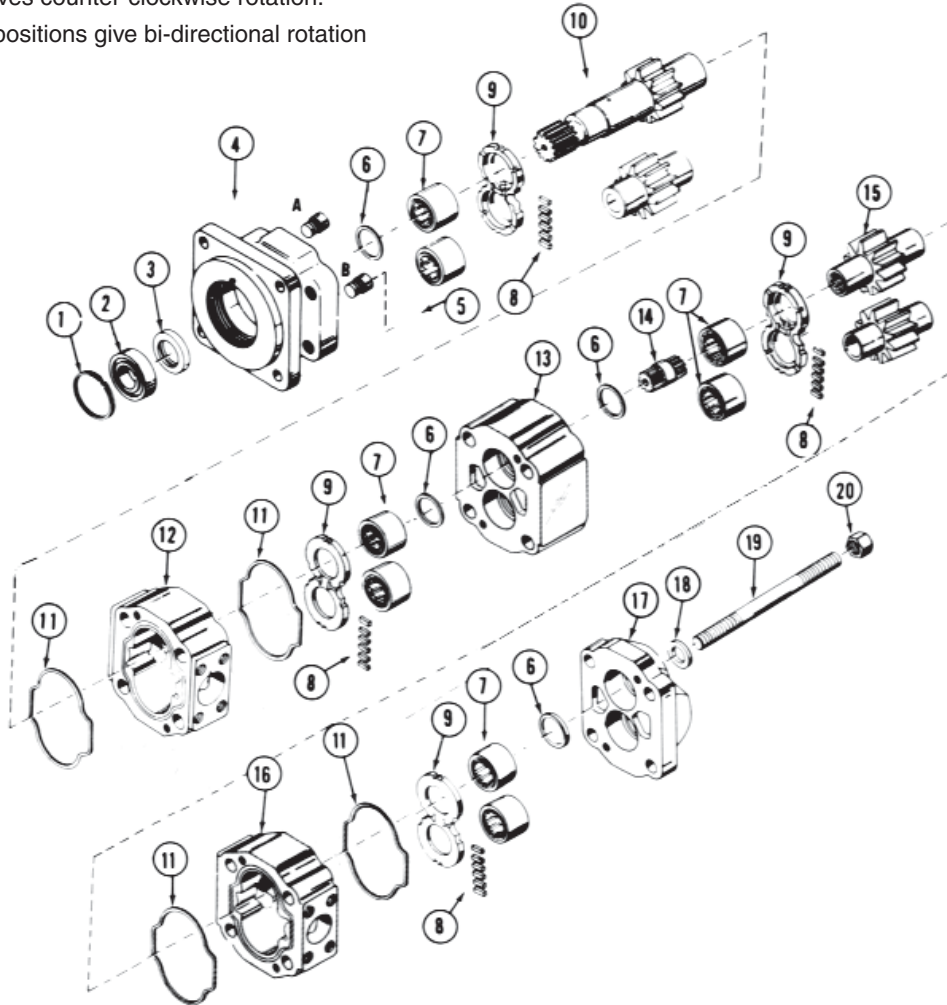
Note:

This page shows the typical arrangement of a 2-section unit. It may not be pictorially correct and is not to scale.

Plug 5 in position B gives clockwise rotation.

Plug 5 in position A gives counter-clockwise rotation.

Check valves in both positions give bi-directional rotation



PUMP REPAIR KITS

Item	Description	Part #	Price
1	Snap Ring	CM-391-2686-063	\$ 3.15
2	Outboard Bearing	CM-391-0381-040	32.02
3	Seal (Pump)	CM-391-2883-058	2.76
4	Hi Pressure Seal (Motor)	CM-391-2883-119	19.54
5	Shaft End Cover	For reference only	N/A
5	Check Assemblies	CM-391-3681-001	2.40
	Plug	CM-391-2286-004	0.98
6	Ring Seals	CM-391-2585-006	10.23
7	Roller Bearings	CM-391-0381-906	21.98
8	Pocket Seals	568C-093	0.72
9	Thrust Plates	CM-391-2185-913	48.60
10	Integral Drive Shaft and Gear Set	For reference only	N/A

Item	Description	Part #	Price
11	Gasket Seals	CM-391-2884-050	\$ 0.84
12	Gear Housing	For reference only	N/A
13	Bearing Carrier	For reference only	N/A
14	Connecting Shaft	For reference only	N/A
15	Matched Gear Set	For reference only	N/A
16	Gear Housing	For reference only	N/A
17	Port End Cover	For reference only	N/A
18	Washers	For reference only	N/A
19	Studs or Cap Screws	For reference only	N/A
20	Nuts	For reference only	N/A

P31 PARTS BREAKDOWN



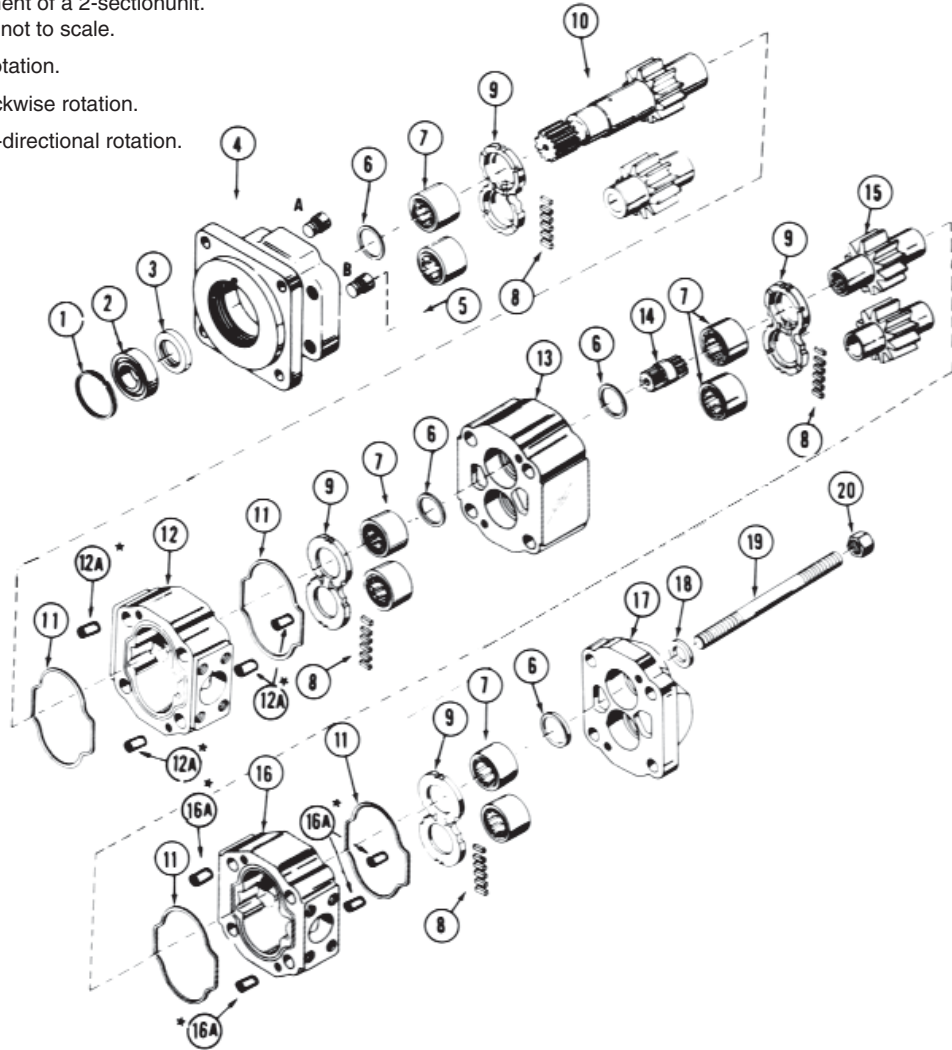
Note:

This page shows the typical arrangement of a 2-section unit. It may not be pictorially correct and is not to scale.

Plug 5 in position B gives clockwise rotation.

Plug 5 in position A gives counter-clockwise rotation.

Check valves in both positions give bi-directional rotation.



PUMP REPAIR KITS

Item	Description	Part #	Price
1	Snap Ring	CM-391-2686-063	\$ 3.15
2	Outboard Bearing	CM-391-0381-040	32.02
3	Seal (Pump)	CM-391-2883-058	2.76
	Hi Pressure Seal (Motor)	CM-391-2883-119	19.54
4	Shaft End Cover	For reference only	N/A
5	Check Assemblies	CM-391-3681-001	2.40
	Plug	CM-391-2286-004	0.98
6	Ring Seals	CM-391-2585-006	10.23
7	Roller Bearings	CM-391-0381-906	21.98
8	Pocket Seals	568C-093	0.72
9	Thrust Plates	CM-391-2185-913	48.60
10	Integral Drive Shaft and Gear Set	For reference only	N/A

Item	Description	Part #	Price
11	Gasket Seals	CM-391-2884-050	\$ 0.84
12	Gear Housing	For reference only	N/A
12A	Dowel Pins	CM-391-2082-032	3.51
13	Bearing Carrier	For reference only	N/A
14	Connecting Shaft	For reference only	N/A
15	Matched Gear Set	For reference only	N/A
16	Gear Housing	For reference only	N/A
16A	Dowel Pins	CM-391-2082-032	3.51
17	Port End Cover	For reference only	N/A
18	Washers	For reference only	N/A
19	Studs or Cap Screws	For reference only	N/A
20	Nuts	For reference only	N/A

P50 PARTS BREAKDOWN



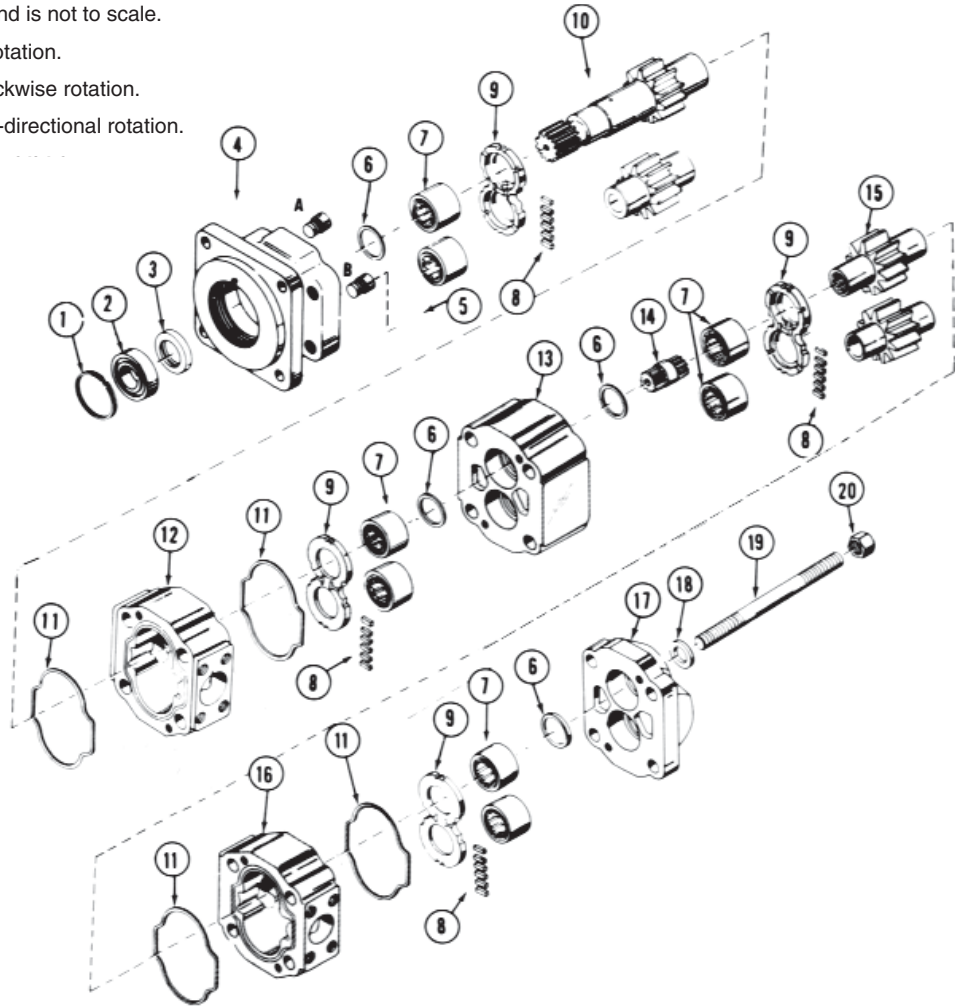
Note:

This page shows the typical arrangement of a 2-section unit. It may not be pictorially correct and is not to scale.

Plug 5 in position B gives clockwise rotation.

Plug 5 in position A gives counter-clockwise rotation.

Check valves in both positions give bi-directional rotation.



PUMP REPAIR KITS

Item	Description	Part #	Price
1	Snap Ring	CM-391-2686-065	\$ 4.18
2	Outboard Bearing	CM-391-0381-077	47.02
3	Seal (Pump)	CM-391-2883-103	7.66
	Hi Pressure Seal (Motor)	CM-391-2883-115	38.39
4	Shaft End Cover	For reference only	N/A
5	Check Assemblies	CM-391-3681-001	2.40
	Plug	CM-391-2286-004	0.98
6	Ring Seals	CM-391-2585-009	11.14
7	Roller Bearings	CM-391-0381-905	33.44
8	Pocket Seals	580C-093	0.81
9	Thrust Plates	CM-391-2185-912	49.08
10	Integral Drive Shaft and Gear Set	For reference only	N/A

Item	Description	Part #	Price
11	Gasket Seals	CM-391-2884-021	\$ 0.89
12	Gear Housing	For reference only	N/A
13	Bearing Carrier	For reference only	N/A
14	Connecting Shaft	For reference only	N/A
15	Matched Gear Set	For reference only	N/A
16	Gear Housing	For reference only	N/A
17	Port End Cover	For reference only	N/A
18	Washers	For reference only	N/A
19	Studs or Cap Screws	For reference only	N/A
20	Nuts	For reference only	N/A

P51 PARTS BREAKDOWN



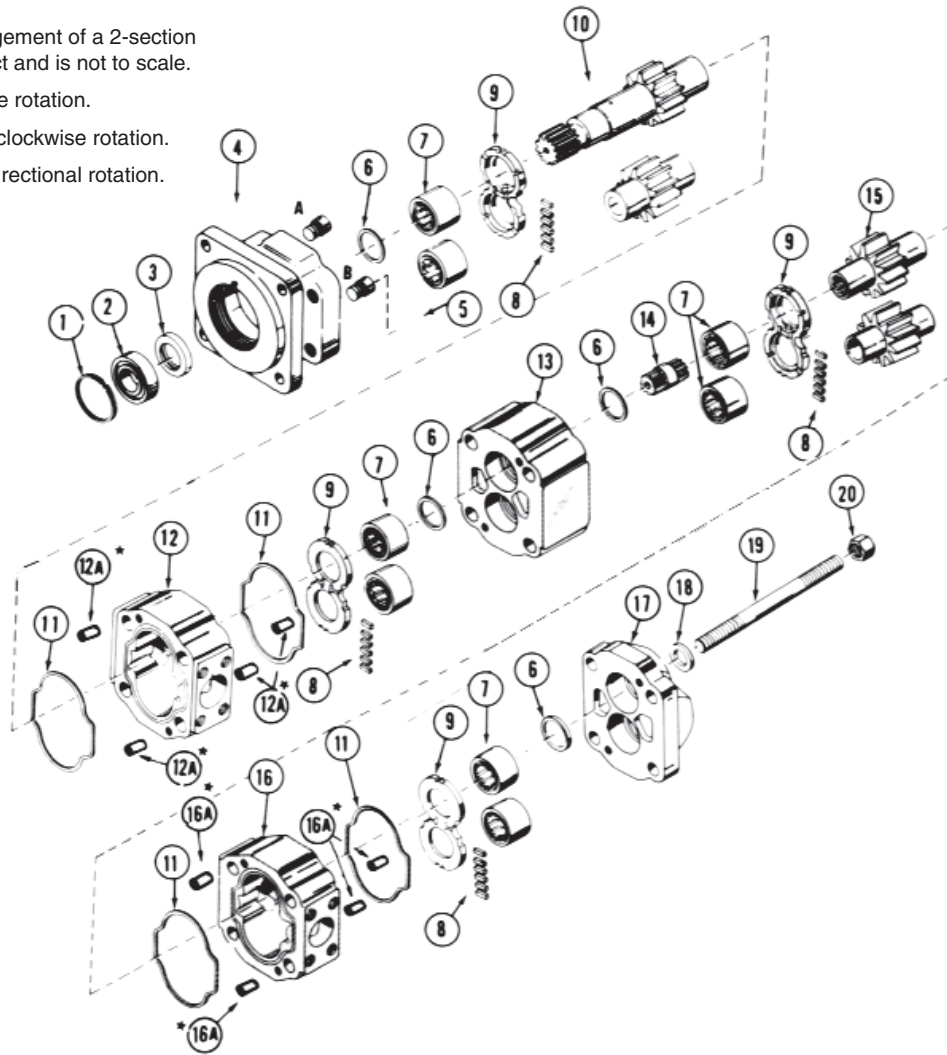
Note:

This page shows the typical arrangement of a 2-section unit. It may not be pictorially correct and is not to scale.

Plug 5 in position B gives clockwise rotation.

Plug 5 in position A gives counter-clockwise rotation.

Check s in both positions give bi-directional rotation.



PUMP REPAIR KITS

Item	Description	Part #	Price
1	Snap Ring	CM-391-2686-065	\$ 4.18
2	Outboard Bearing	CM-391-0381-077	47.02
3	Seal	CM-391-2883-103	7.66
	Hi Pressure Seal (Motor)	CM-391-2883-115	38.39
4	Shaft End Cover	For reference only	N/A
5	Check Assemblies	CM-391-3681-001	2.40
	Plug	CM-391-2286-004	0.98
6	Ring Seals	CM-391-2585-009	11.14
7	Roller Bearings	CM-391-0381-905	33.44
8	Pocket Seals	580C-093	0.81
9	Thrust Plates	CM-391-2185-912	49.08
10	Integral Drive Shaft and Gear Set	For reference only	N/A

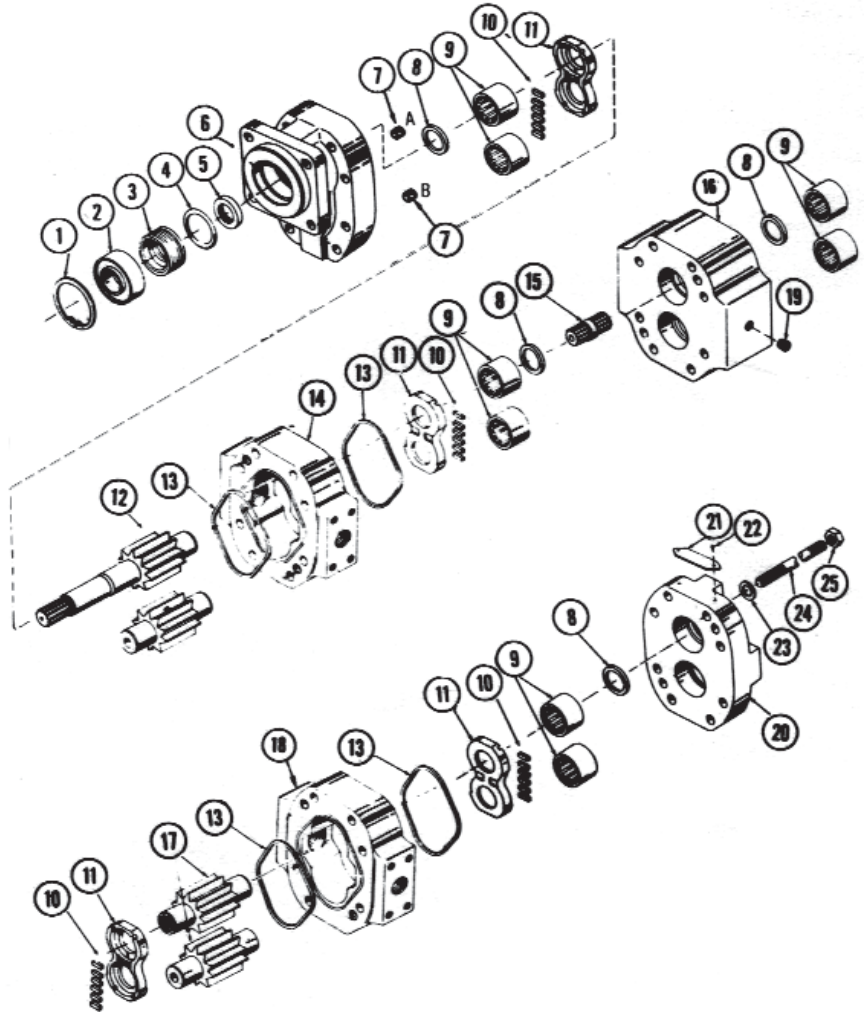
Item	Description	Part #	Price
11	Gasket Seals	CM-391-2884-021	\$ 0.89
12	Gear Housing	For reference only	N/A
12A	Dowel Pins	CM-391-2082-032	3.51
13	Bearing Carrier	For reference only	N/A
14	Connecting Shaft	For reference only	N/A
15	Matched Gear Set	For reference only	N/A
16	Gear Housing	For reference only	N/A
16A	Dowel Pins	CM-391-2082-032	3.51
17	Port End Cover	For reference only	N/A
18	Washers	For reference only	N/A
19	Studs or Cap Screws	For reference only	N/A
20	Nuts	For reference only	N/A

P75 PARTS BREAKDOWN



Note:

Plug 7 in position B gives clockwise rotation.
 Plug 7 in position A gives counter-clockwise rotation.
 Check valves in both positions give bi-directional rotation.



PUMP REPAIR KITS

Item	Description	Part #	Price
1	Snap Ring	CM-391-2686-025	\$ 7.32
2	Outboard Bearing	CM-391-0381-078	56.06
	Spacer	CM-391-3383-018	24.04
3	Seal Retainer	CM-391-2584-051	39.98
4	"O" Ring	CM-391-2881-457	0.45
5	Seal (Pump)	CM-391-2883-052	8.85
	Seal (Motor)	CM-391-2883-094	31.32
6	Shaft End Cover	For reference only	N/A
7	Check Assemblies	CM-391-3681-001	2.40
	Plug	CM-391-2286-004	0.98
8	Ring Seals	CM-391-2585-011	14.87
9	Roller Bearings	CM-391-0381-904	48.02
10	568C-125	CM-391-2282-084	0.74
11	Thrust Plates	CM-391-2185-920	121.45

Item	Description	Part #	Price
12	Integral Drive Shaft	For reference only	N/A
13	Gasket Seals	580-252	\$ 1.98
14	Gear Housing	For reference only	N/A
15	Connecting Shaft	For reference only	N/A
16	Bearing Carrier	For reference only	N/A
17	Matched Gear Set	For reference only	N/A
18	Gear Housing	For reference only	N/A
19	Plug	For reference only	N/A
20	Port End Cover	For reference only	N/A
21	Name Plate	For reference only	N/A
22	Drive Screws	For reference only	N/A
23	Washers	For reference only	N/A
24	Studs or Cap Screws	For reference only	N/A
25	Nuts	For reference only	N/A

P76 PARTS BREAKDOWN



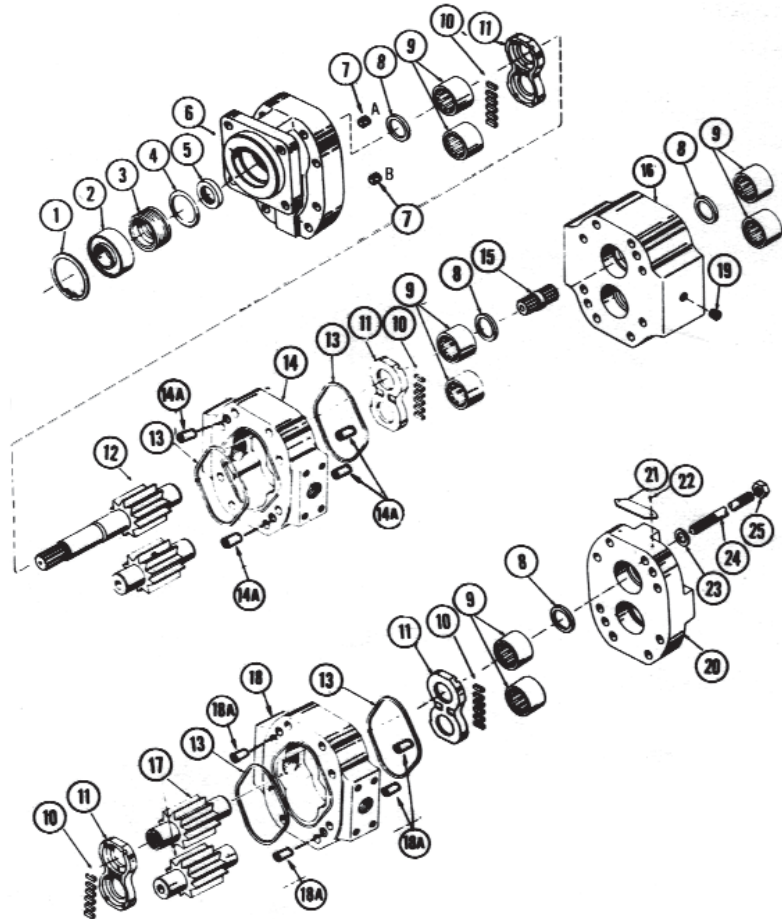
Note:

This page shows the typical arrangement of a 2-section pump. It may not be pictorially correct and is not to scale.

Plug 7 in position B gives clockwise rotation.

Plug 7 in position A gives counter-clockwise rotation.

Check valves in both positions give bi-directional rotation.



Item	Description	Part #	Price
1	Snap Ring	CM-391-2686-025	\$ 7.32
2	Outboard Bearing	CM-391-0381-078	56.06
3	Seal Retainer	CM-391-2584-051	39.98
4	"O" Ring	CM-391-2881-457	0.45
5	Seal (Pump)	CM-391-2883-052	8.85
	Seal (Motor)	CM-391-2883-094	31.32
6	Shaft End Cover	For reference only	N/A
7	Check Assemblies	CM-391-3681-001	2.40
	Plug	CM-391-2286-004	0.98
8	Ring Seals	CM-391-2585-011	14.87
9	Roller Bearings	CM-391-0381-904	48.02
10	Pocket Seals	568C-125	0.82
11	Thrust Plates	CM-391-2185-920	121.45
12	Integral Drive Shaft and Gear Set	For reference only	N/A
13	Gasket Seals	580-252	1.98

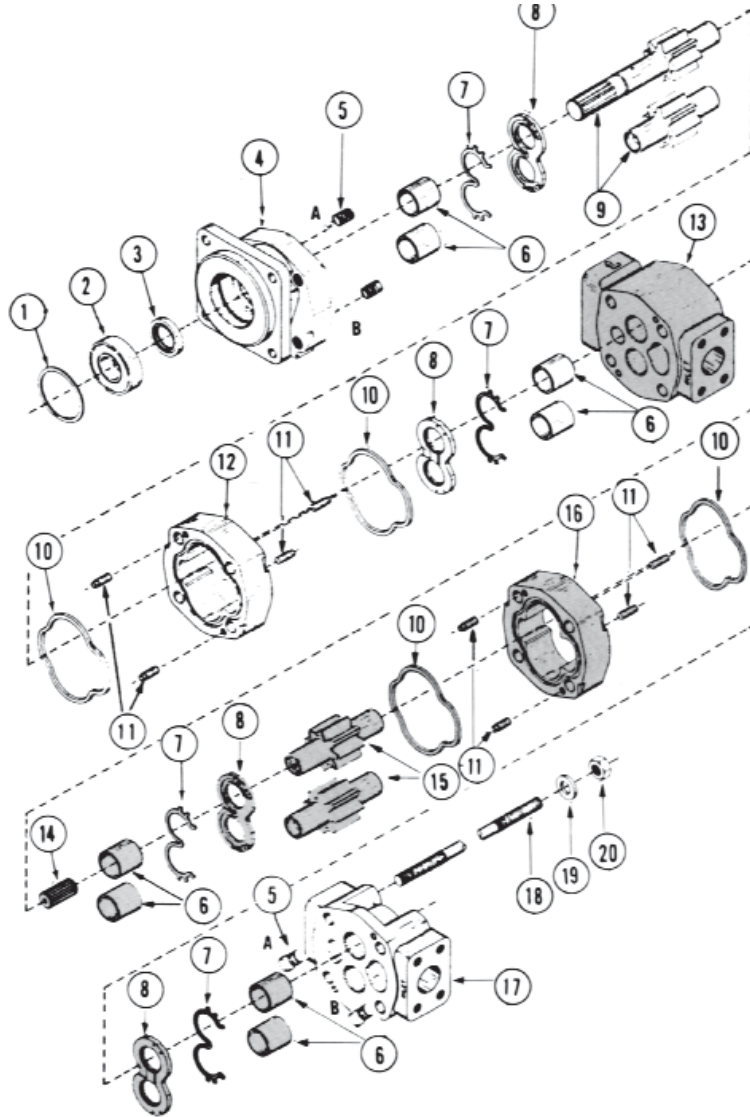
Item	Description	Part #	Price
14	Gear Housing	For reference only	N/A
14A	Dowel Pins	For reference only	N/A
15	Connecting Shaft	For reference only	N/A
16	Bearing Carrier	For reference only	N/A
17	Matched Gear Set	For reference only	N/A
18	Gear Housing	For reference only	N/A
18A	Dowel Pins	For reference only	N/A
19	Plug	For reference only	N/A
20	Port End Cover	For reference only	N/A
21	Name Plate	For reference only	N/A
22	Drive Screws	For reference only	N/A
23	Washers	For reference only	N/A
24	Studs or Cap Screws	For reference only	N/A
25	Nuts	For reference only	N/A

P330 PARTS BREAKDOWN



Note:

Plug 5 required in position A and B.



PUMP REPAIR KITS

Item	Description	Part #	Price
1	Snap Ring	300-206	\$ 3.15
2	Outboard Bearing	CM-391-0381-040	32.02
3	Seal	CM-391-2883-058	2.76
4	Shaft End Cover	For reference only	N/A
5	Plug	CM-391-2286-004	0.98
6	Bushings	CM-391-0482-306	14.86
7	Channel Seal	CM-391-2885-065	3.22
8	Thrust Plates	CM-391-2185-956	63.66
9	Integral Drive Shaft and Gear Set	For reference only	N/A
10	Gasket Seal	580-242	0.84

Item	Description	Part #	Price
11	Dowel Pins (Hollow)	CM-391-2082-032	\$ 3.51
12	Gear Housing	For reference only	N/A
13	Bearing Carrier	For reference only	N/A
14	Connection Shaft	For reference only	N/A
15	Matched Gear Set	For reference only	N/A
16	Gear Housing	For reference only	N/A
17	Port End Cover	For reference only	N/A
18	Studs or Cap Screws	For reference only	N/A
19	Washers	For reference only	N/A
20	Nuts	For reference only	N/A

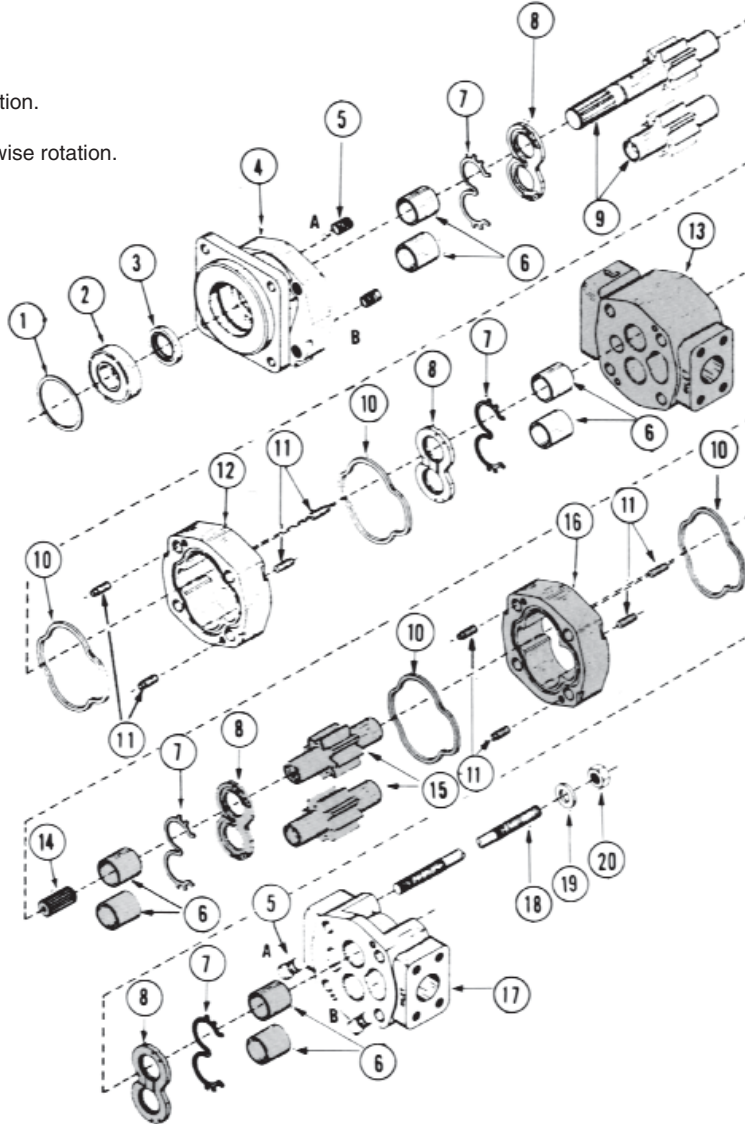
P350 PARTS BREAKDOWN



Note:

Plug 5 in position B gives clockwise rotation.

Plug 5 in position A gives counter-clockwise rotation.



Item	Description	Part #	Price
1	Snap Ring	WHM-283	\$ 10.25
2	Outboard Bearing	CM-391-0381-077	47.02
3	Seal	CM-391-2883-103	7.66
4	Shaft End Cover	For reference only	N/A
5	Plug	CM-391-2286-004	0.98
6	Bushings	CM-391-0482-308	15.70
7	Channel Seal	CM-391-2885-066	3.22
8	Thrust Plates	CM-391-2185-957	64.10
9	Integral Drive Shaft and Gear Set	For reference only	N/A
10	Gasket Seal	580-246	1.25

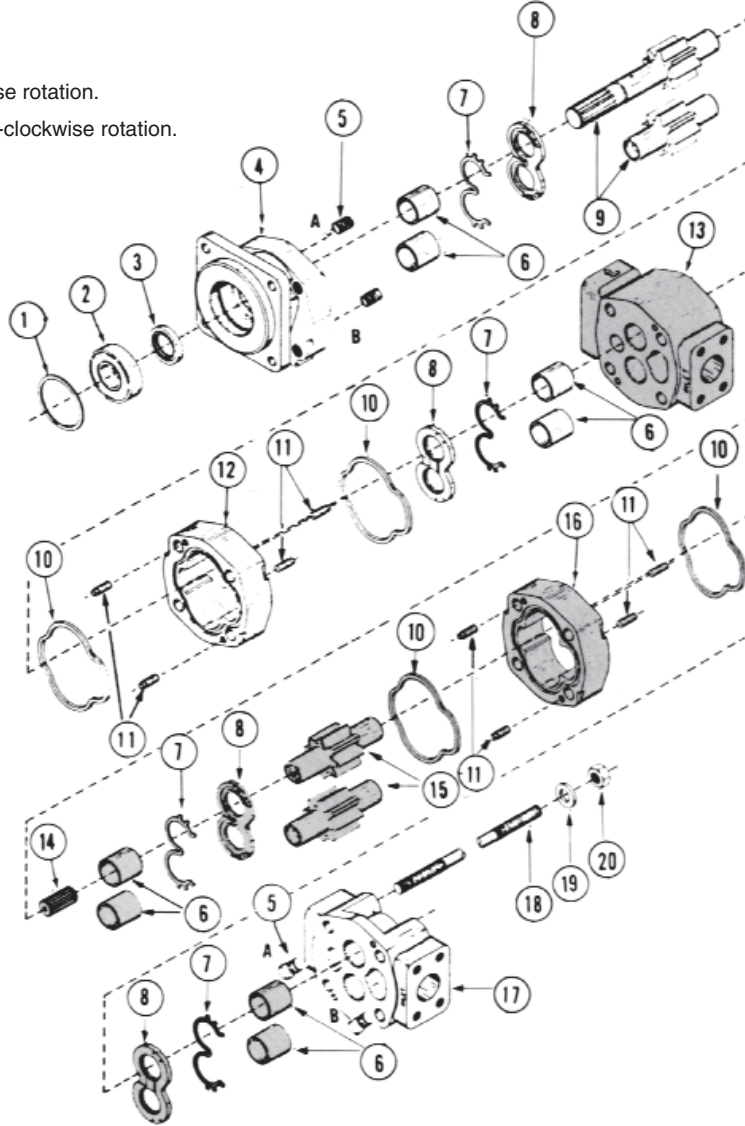
Item	Description	Part #	Price
11	Dowel Pins (Solid)	CM-391-2082-032	\$ 3.51
12	Gear Housing	For reference only	N/A
13	Bearing Carrier	For reference only	N/A
14	Connection Shaft	For reference only	N/A
15	Matched Gear Set	For reference only	N/A
16	Gear Housing	For reference only	N/A
17	Port End Cover	For reference only	N/A
18	Studs or Cap Screws	For reference only	N/A
19	Washers	For reference only	N/A
20	Nuts	For reference only	N/A

P365 PARTS BREAKDOWN



Note:

Plug 5 in position B gives clockwise rotation.
 Plug 5 in position A gives counter-clockwise rotation.



PUMP REPAIR KITS

Item	Description	Part #	Price
1	Snap Ring	300-315	\$ 8.74
2	Outboard Bearing	CM-391-0381-078	56.06
3	Seal	CM-391-2883-052	8.85
4	Shaft End Cover	For reference only	N/A
5	Plug	CM-391-2286-004	0.98
6	Bushings	CM-391-0482-307	22.44
7	Channel Seal	CM-391-2885-064	1.82
8	Thrust Plates	CM-391-2185-055	52.18
9	Integral Drive Shaft and Gear Set	For reference only	N/A
10	Gasket Seal	580-250	1.79

Item	Description	Part #	Price
11	Dowel Pins (Hollow)	CM-391-2082-032	\$ 3.51
12	Gear Housing	For reference only	N/A
13	Bearing Carrier	For reference only	N/A
14	Connection Shaft	For reference only	N/A
15	Matched Gear Set	For reference only	N/A
16	Gear Housing	For reference only	N/A
17	Port End Cover	For reference only	N/A
18	Studs or Cap Screws	For reference only	N/A
19	Washers	For reference only	N/A
20	Nuts	For reference only	N/A