

MILLER

Kit Type		Page
Rod Kit, Iron Gland	Star Bushing - A, J, & H Cylinders	52
	Pneumatic - A & C Cylinders	53
	Hydraulic - AJ, J, M & H Cylinders	54
	HV Cylinders - Retainer Held - With Retainer & Without Retainer	55
	HV Cylinders-Bolted	56
Star Rod Kits	A, J, & H Cylinders	57
Rod Seal Cage Assembly	Hydraulic	58
Hat Packing	PTFE & Nitrile	59
PTFE Wiper	"U" Style - A, C, J, M, & H Cylinders	60
Iron Gland	Star Bushing Style A, J, & H Cylinders - Retainer Held & Bolted	61
	A, C, J, M, & H Cylinders	62
	HV Cylinders	63
Retainer	A, C, J, M, H & HV Cylinders	64
Caged Assembly Components	Rod Seal Cage, Wave Spring, & Bronze Pressure Ring	64
Piston Kits	A, J, & H Series Cylinders	65
Piston Kits	HV Series Cylinders	66
PTFE Tube Seal Cord	A, C, J, M, & H Cylinders	66
Piston U-seals	All Current Style Cylinders	67
Wear Rings	Air & Hydraulic Service	68
PTFE Tube End Seals	Continuous	69
	Various Kits	69
	Strip PTFE	70
Follower Seals	PTFE	70
Piston Cups	A, AJ, J, JW, H, & HW Cylinders	71
Repair Kits	By Part Number	72 - 79

ORTMAN

Kit Type		Page
Ortman Kits	Various Kits	80

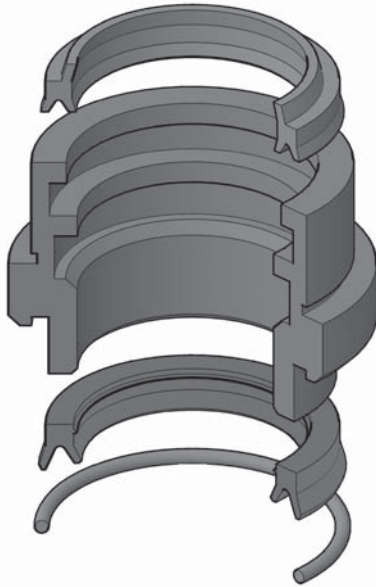
MILLER

Star Bushing Rod Kit, Iron Gland

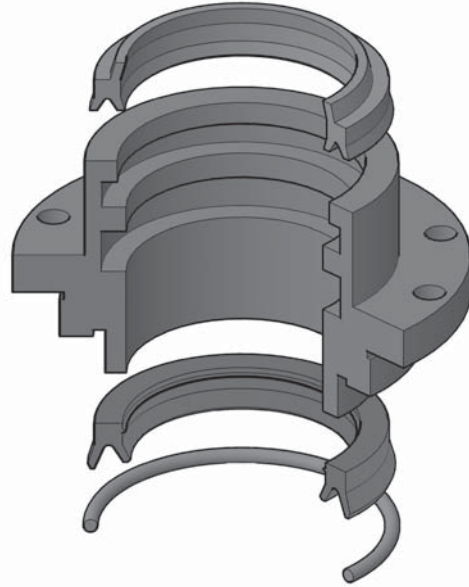
A, J, & H Cylinders

1998 Style Retainer Held

1998 Style Bolted



Kit Includes:
 1 XNBR Wiper
 1 Retainer Held Star Bushing
 1 URE Rod Seal
 1 NBR O-ring



Kit Includes:
 1 XNBR Wiper
 1 Bolted Star Bushing
 1 URE Rod Seal
 1 NBR O-ring

Rod Dia.	Kit #	List Price	Kit #	List Price
5/8"	MLR-051-KR074-063	\$ 163.23	MLR-051-KR075-063	\$ 219.26
1"	MLR-051-KR074-100	203.10	MLR-051-KR075-100	264.45
1-3/8"	MLR-051-KR074-138	239.44	MLR-051-KR075-138	309.97
1-3/4"	—	—	MLR-051-KR075-175	335.91
2"	—	—	MLR-051-KR075-200	395.67
2-1/2"	—	—	MLR-051-KR075-250	543.26
3"	—	—	MLR-051-KR075-300	695.88
3-1/2"	—	—	MLR-051-KR075-350	933.33
4"	—	—	MLR-051-KR075-400	1003.48
4-1/2"	—	—	MLR-051-KR075-450	1080.00
5"	—	—	MLR-051-KR075-500	1437.47
5-1/2"	—	—	MLR-051-KR075-550	2011.22

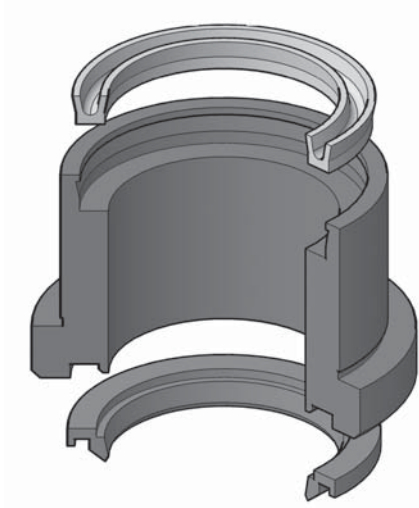
Bolted bushings from: 5/8" to 1-3/4" have 4 bolt holes
 2" to 4-1/2" have 8 bolt holes
 5" to 5-1/2" have 12 bolt holes

MILLER

Pneumatic Rod Kit, Iron Gland

A & C Cylinders

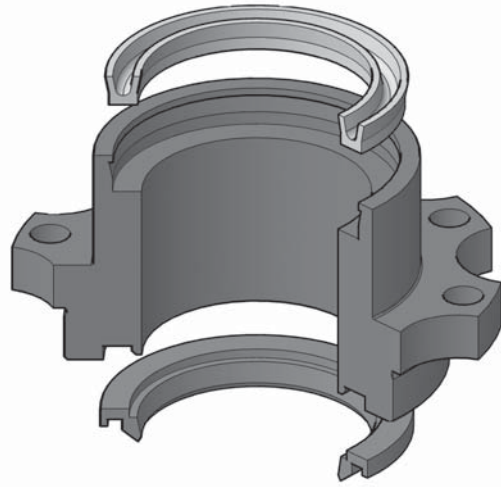
Retainer Held



Kit Includes:

- 1 PTFE Wiper
- 1 Retainer Held Iron Gland
- 1 NBR Hat Packing

Bolted



Kit Includes:

- 1 PTFE Wiper
- 1 Bolted Iron Gland
- 1 NBR Hat Packing

Rod Dia.	Kit #	List Price	Kit #	List Price
5/8"	MLR-051-KR010-063	\$ 71.73	MLR-051-KR011-063	\$ 121.83
1"	MLR-051-KR010-100	96.53	MLR-051-KR011-100	140.94
1-3/8"	MLR-051-KR010-138	109.67	MLR-051-KR011-138	152.56
1-3/4"	MLR-051-KR010-175	161.08	MLR-051-KR011-175	239.93
2"	MLR-051-KR010-200	188.42	MLR-051-KR011-200	271.77
2-1/2"	MLR-051-KR010-250	271.11	MLR-051-KR011-250	349.48
3"	MLR-051-KR010-300	353.84	MLR-051-KR011-300	419.42

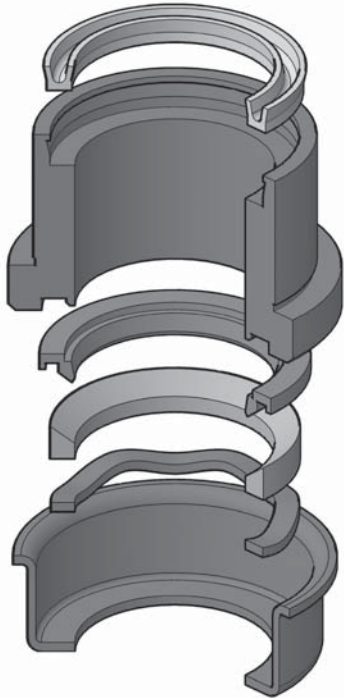
Bolted bushings from: 5/8" to 1-3/4" have 4 bolt holes
 2" to 4-1/2" have 8 bolt holes
 5" to 5-1/2" have 12 bolt holes

MILLER

Hydraulic Rod Kit, Iron Gland

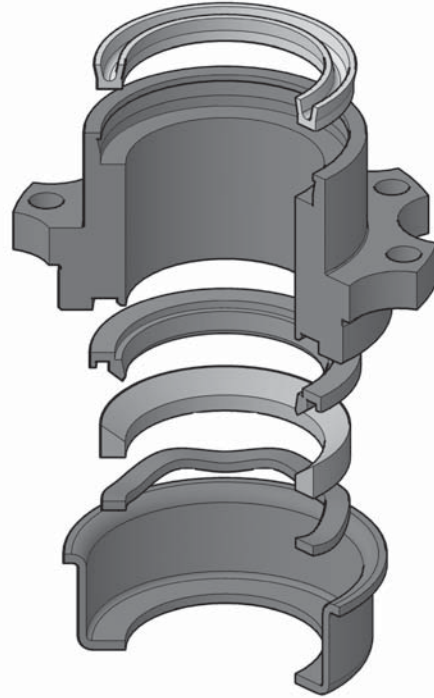
AJ, J, M, & H Cylinders

Retainer Held



- Kit Includes:**
 1 PTFE Wiper
 1 Retainer Held Iron Gland
 1 PTFE Hat Packing
 1 Bronze Pressure Ring
 1 Wave Spring
 1 Cage

Bolted



- Kit Includes:**
 1 PTFE Wiper
 1 Bolted Iron Gland
 1 PTFE Hat Packing
 1 Bronze Pressure Ring
 1 Wave Spring
 1 Cage

Rod Dia.	Kit #	List Price	Kit #	List Price
5/8"	MLR-051-KR014-063	\$ 128.51	MLR-051-KR015-063	\$ 158.83
1"	MLR-051-KR014-100	158.39	MLR-051-KR015-100	191.20
1-3/8"	MLR-051-KR014-138	194.71	MLR-051-KR015-138	236.75
1-3/4"	MLR-051-KR014-175	263.78	MLR-051-KR015-175	301.32
2"	MLR-051-KR014-200	318.29	MLR-051-KR015-200	354.23
2-1/2"	MLR-051-KR014-250	392.23	MLR-051-KR015-250	458.03
3"	MLR-051-KR014-300	518.11	MLR-051-KR015-300	571.98

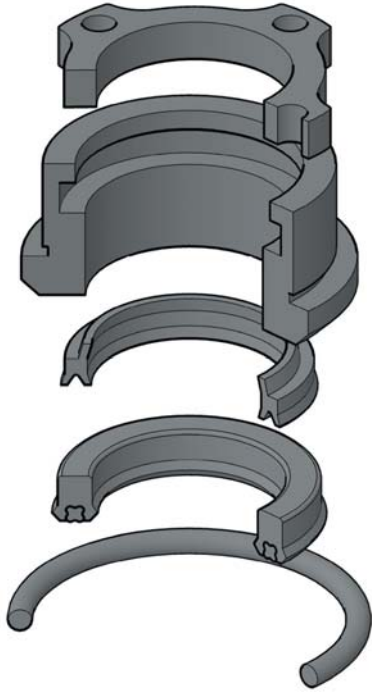
Bolted bushings from: 5/8" to 1-3/4" have 4 bolt holes
 2" to 4-1/2" have 8 bolt holes
 5" to 5-1/2" have 12 bolt holes

MILLER

Rod Kit, Iron Gland

HV Cylinders - Retainer Held

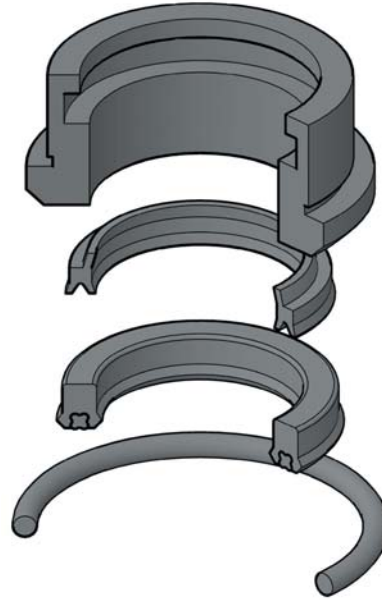
With Retainer



Kit Includes:

- 1 NBR Wiper
- 1 Retainer Held Gland
- 1 Retainer Ring
- 1 URE Rod Seal
- 1 NBR O-ring

Without Retainer



Kit Includes:

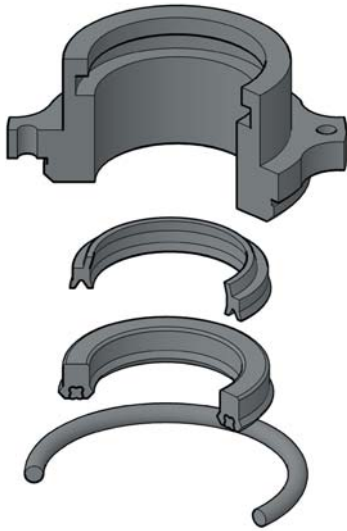
- 1 NBR Wiper
- 1 Retainer Held Gland
- 1 URE Rod Seal
- 1 NBR O-ring

Rod Dia.	Kit #	List Price	Kit #	List Price
5/8"	MLR-051-KR065-063	\$ 96.48	MLR-051-KR064-063	\$ 41.19
1"	MLR-051-KR065-100	94.74	MLR-051-KR064-100	48.31
1-3/8"	MLR-051-KR065-138	125.76	MLR-051-KR064-138	60.19

MILLER

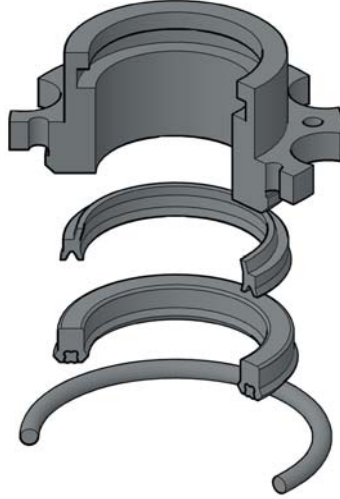
Rod Kit, Iron Gland

HV Cylinders-Bolted



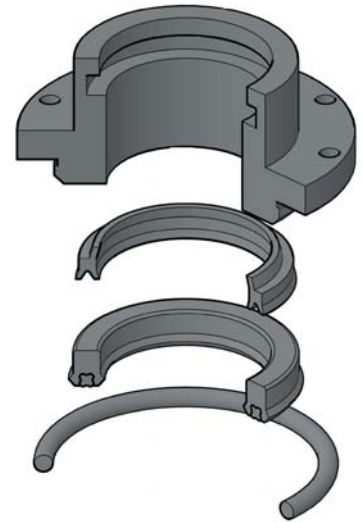
Kit Includes:

- 1 NBR Wiper
- 1 Bolted Gland
- 1 URE Rod Seal
- 1 NBR O-ring



Kit Includes:

- 1 NBR Wiper
- 1 Bolted Gland
- 1 URE Rod Seal
- 1 NBR O-ring



Kit Includes:

- 1 NBR Wiper
- 1 Bolted Gland
- 1 URE Rod Seal
- 1 NBR O-ring

Bore Dia.	Kit #	List Price	Kit #	List Price	Kit #	List Price
1-3/4"	MLR-051-KR065-175	\$ 143.80	—	—	—	—
2"	—	—	MLR-051-KR065-200	\$ 154.33	—	—
2-1/2"	—	—	—	—	MLR-051-KR065-250	\$ 180.37
3	—	—	—	—	MLR-051-KR065-300	206.82
3-1/2"	—	—	—	—	MLR-051-KR065-350	236.71

MILLER

Star Rod Kits

A, J, & H Cylinders Star Kits

Rod Dia.	Kit #	List Price
5/8"	MLR-051-KR080-063	\$ 19.40
1"	MLR-051-KR080-100	34.27
1-3/8"	MLR-051-KR080-138	45.53
1-3/4"	MLR-051-KR080-175	56.43
2"	MLR-051-KR080-200	63.35
2-1/2"	MLR-051-KR080-250	75.64
3"	MLR-051-KR080-300	136.23
3-1/2"	MLR-051-KR080-350	145.97
4"	MLR-051-KR080-400	163.98
4-1/2"	MLR-051-KR080-450	185.35
5"	MLR-051-KR080-500	198.14
5-1/2"	MLR-051-KR080-550	309.65

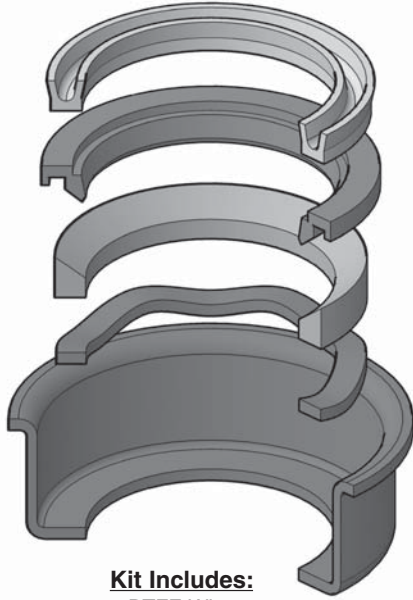
Kit Includes:
1 XNBR Wiper
1 URE Rod Seal
1 NBR O-ring



MILLER

Hydraulic Rod Seal Cage Assembly

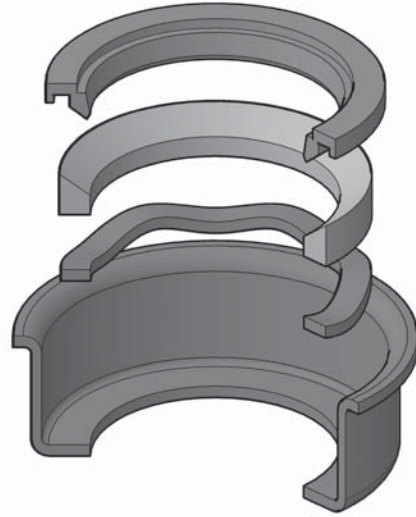
AJ, J, M, & H Cylinders



Kit Includes:

- 1 PTFE Wiper
- 1 PTFE Hat Packing
- 1 Bronze Pressure Ring
- 1 Wave Spring
- 1 Cage

Boosters & Tandems



Kit Includes:

- 1 PTFE Hat Packing
- 1 Bronze Pressure Ring
- 1 Wave Spring
- 1 Cage
- No Wiper

Rod Dia.	Kit #	List Price	Kit #	List Price
5/8"	MLR-051-KR012-063	\$ 72.33	MLR-051-KR024-063	\$ 65.58
1"	MLR-051-KR012-100	86.59	MLR-051-KR024-100	78.58
1-3/8"	MLR-051-KR012-138	107.23	MLR-051-KR024-138	97.13
1-3/4"	MLR-051-KR012-175	130.23	MLR-051-KR024-175	117.94
2"	MLR-051-KR012-200	152.06	MLR-051-KR024-200	138.01
2-1/2"	MLR-051-KR012-250	189.30	MLR-051-KR024-250	164.87
3"	MLR-051-KR012-300	253.46	MLR-051-KR024-300	226.16

MILLER

Hat Packing

For Hydraulic Service
PTFE

For Air & Water Service
Nitrile



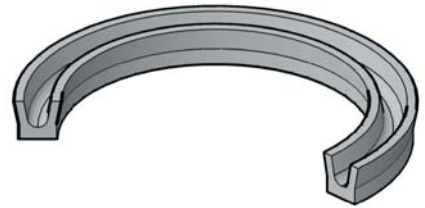
Rod Dia.	Part #	List Price	Part #	List Price
5/8"	MLR-051-RS007-063	\$ 10.30	MLR-051-RS014-063	\$ 11.39
1"	MLR-051-RS007-100	13.24	MLR-051-RS014-100	18.63
1-3/8"	MLR-051-RS007-138	15.59	MLR-051-RS014-138	11.62
1-3/4"	MLR-051-RS007-175	16.42	MLR-051-RS014-175	14.67
2"	MLR-051-RS007-200	16.99	MLR-051-RS014-200	20.40
2-1/2"	MLR-051-RS007-250	21.77	MLR-051-RS014-250	23.83
3"	MLR-051-RS007-300	30.31	MLR-051-RS014-300	26.26
3-1/2"	MLR-051-RS007-350	38.64	MLR-051-RS014-350	37.68
4"	MLR-051-RS007-400	41.58	MLR-051-RS014-400	44.81
4-1/2"	MLR-051-RS007-450	48.41	MLR-051-RS014-450	51.72
5"	MLR-051-RS007-500	52.07	MLR-051-RS014-500	58.74
5-1/2"	MLR-051-RS007-550	61.15	MLR-051-RS014-550	65.66
7"	MLR-051-RS007-700	55.11	—	—
8"	MLR-051-RS007-800	57.70	—	—
9"	MLR-051-RS007-900	57.74	—	—
10"	MLR-051-RS007-1000	112.99	—	—

MILLER

PTFE Wiper "U" Style

A, C, J, M, & H Cylinders

Rod Dia.	Part #	List Price
5/8"	MLR-051-WP001-063	\$ 7.43
1"	MLR-051-WP001-100	8.81
1-3/8"	MLR-051-WP001-138	11.12
1-3/4"	MLR-051-WP001-175	13.53
2"	MLR-051-WP001-200	15.42
2-1/2"	MLR-051-WP001-250	26.84
3"	MLR-051-WP001-300	29.96
3-1/2"	MLR-051-WP001-350	33.85
4"	MLR-051-WP001-400	38.45
4-1/2"	MLR-051-WP001-450	50.33
5"	MLR-051-WP001-500	54.22
5-1/2"	MLR-051-WP001-550	55.15
7"	MLR-051-WP001-700	53.90
8"	MLR-051-WP001-800	47.84
9"	MLR-051-WP001-900	60.73
10"	MLR-051-WP001-1000	89.62

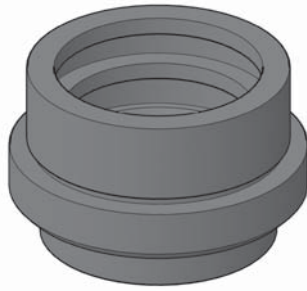


MILLER

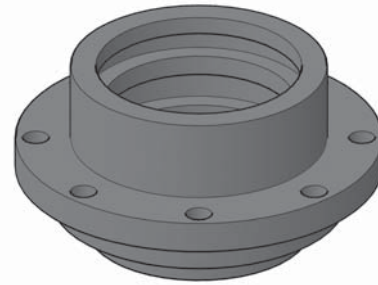
Iron Gland

Star Bushing Style A, J, & H Cylinders

Retainer Held



Bolted



Rod Dia.	Part #	List Price	Part #	List Price
5/8"	MLR-050-BU100-063	\$ 111.83	MLR-050-BU101-063	\$ 143.16
1"	MLR-050-BU100-100	136.86	MLR-050-BU101-100	173.72
1-3/8"	MLR-050-BU100-138	140.40	MLR-050-BU101-138	206.19
1-3/4"	—		MLR-050-BU101-175	183.56
2"	—		MLR-050-BU101-200	256.30
2-1/2"	—		MLR-050-BU101-250	358.99
3"	—		MLR-050-BU101-300	398.59
3-1/2"	—		MLR-050-BU101-350	470.77
4"	—		MLR-050-BU101-400	690.00
4-1/2"	—		MLR-050-BU101-450	746.61
5"	—		MLR-050-BU101-500	848.37
5-1/2"	—		MLR-050-BU101-550	929.70

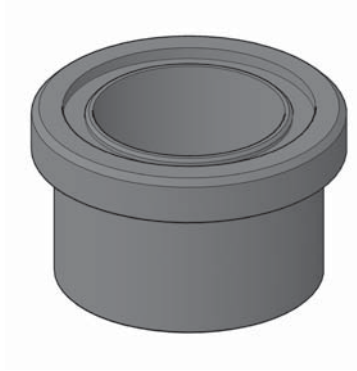
Bolted bushings from: 5/8" to 1-3/4" have 4 bolt holes
 2" to 4-1/2" have 8 bolt holes
 5" to 5-1/2" have 12 bolt holes

MILLER

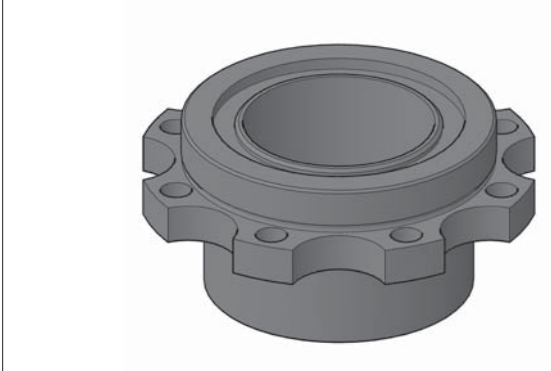
Iron Gland

A, C, J, M, & H Cylinders

Retainer Held



Bolted



Rod Dia.	Part #	List Price	Part #	List Price
5/8"	MLR-050-BU022-063	\$ 59.04	MLR-050-BU024-063	\$ 129.63
1"	MLR-050-BU022-100	74.03	MLR-050-BU024-100	156.15
1-3/8"	MLR-050-BU022-138	89.83	MLR-050-BU024-138	200.92
1-3/4"	MLR-050-BU022-175	128.64	MLR-050-BU024-175	203.20
2"	MLR-050-BU022-200	160.16	MLR-050-BU024-200	228.08
2-1/2"	MLR-050-BU022-250	258.32	MLR-050-BU024-250	263.23
3"	MLR-050-BU022-300	259.87	MLR-050-BU024-300	312.28

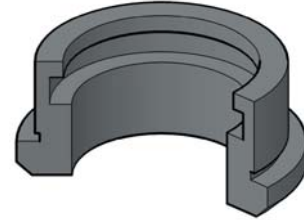
Bolted bushings from: 5/8" to 1-3/4" have 4 bolt holes
 2" to 4-1/2" have 8 bolt holes
 5" to 5-1/2" have 12 bolt holes

MILLER

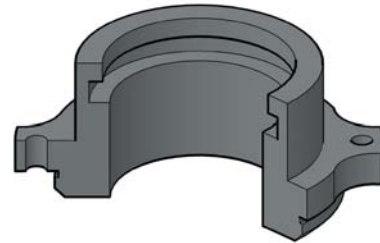
Iron Gland

HV Cylinders

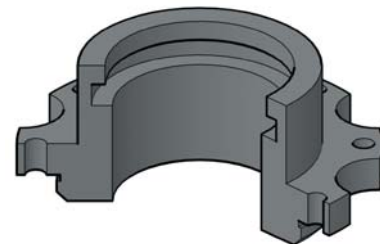
Rod Dia.	Kit #	List Price
5/8"	MLR-RG065-063	\$ 36.44
1"	MLR-RG065-100	42.44
1-3/8"	MLR-RG065-138	53.06



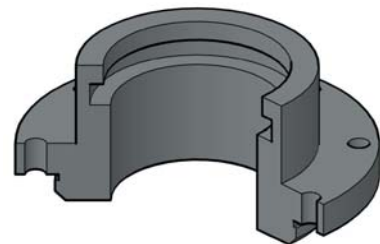
Rod Dia.	Kit #	List Price
1-3/4"	MLR-RG065-175	\$ 136.56



Rod Dia.	Kit #	List Price
2"	MLR-RG065-200	\$ 147.69



Rod Dia.	Kit #	List Price
2-1/2"	MLR-RG065-250	\$ 172.06
3"	MLR-RG065-300	197.38
3-1/2"	MLR-RG065-350	220.31

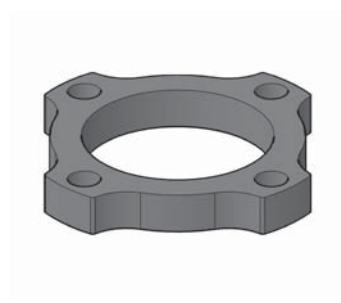


MILLER

Retainer

A, C, J, M, H & HV Cylinders

Rod Dia.	Part #	List Price
5/8"	MLR-050-RT005-063	\$ 37.26
1"	MLR-050-RT005-100	41.56
1-3/8"	MLR-050-RT005-138	53.10

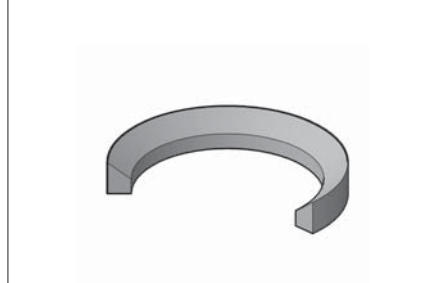
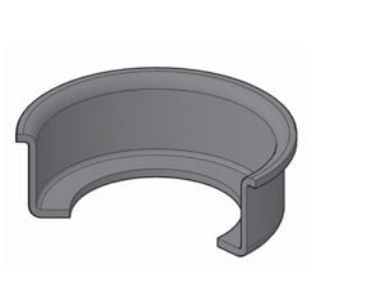


Caged Assembly Components

Rod Seal Cage

Wave Spring

Bronze Pressure Ring



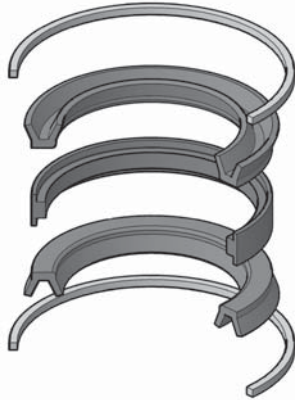
Rod Dia.	Part #	List Price	Part #	List Price	Part #	List Price
5/8"	MLR-051-CG001-063	\$ 22.93	MLR-051-WS004-063	\$ 16.83	MLR-051-PG001-063	\$ 23.01
1"	MLR-051-CG001-100	28.02	MLR-051-WS004-100	16.83	MLR-051-PG001-100	28.74
1-3/8"	MLR-051-CG001-138	29.47	MLR-051-WS004-138	16.83	MLR-051-PG001-138	42.70
1-3/4"	MLR-051-CG001-175	31.13	MLR-051-WS004-175	16.83	MLR-051-PG001-175	57.98
2"	MLR-051-CG001-200	34.14	MLR-051-WS003-200	20.47	MLR-051-PG001-200	67.80
2-1/2"	MLR-051-CG001-250	38.62	MLR-051-WS003-250	21.54	MLR-051-PG001-250	84.50
3"	MLR-051-CG001-300	53.87	MLR-051-WS003-300	25.82	MLR-051-PG001-300	118.34

MILLER

Piston Kits

A Series Cylinders

January '82 to Current

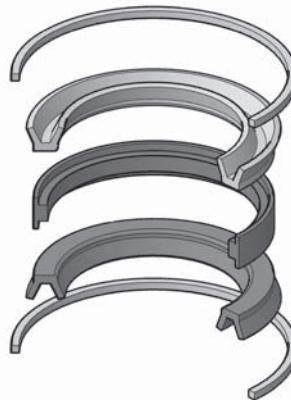


Kit Includes:

- 2 NBR U-seals
- 1 Wear Ring
- 2 PTFE Tube End Seals
(wear ring material and profile varies with size)

J Series Cylinders

January '81 to Current

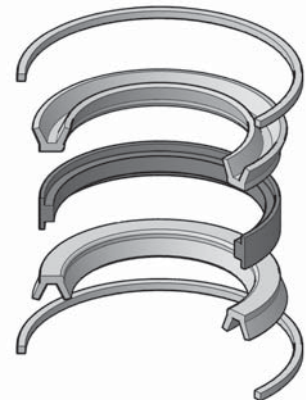


Kit Includes:

- 2 U-seals (PTFE up to 5",
NBR from 6" to 12")
- 1 Wear Ring
- 2 PTFE Tube End Seals
(wear ring and u-seal material and profile varies with size)

H Series Cylinders

January '82 to Current



Kit Includes:

- 2 PTFE U-seals
- 1 T-Shape Wear Ring
- 2 PTFE Tube End Seals
(wear ring material varies with size)

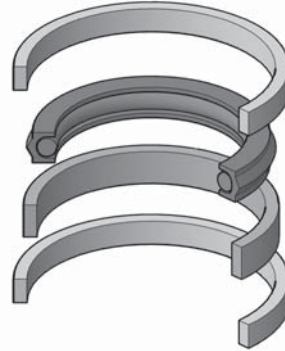
Bore Dia.	Kit #	List Price	Kit #	List Price	Kit #	List Price
1-1/2"	MLR-090-KB001-150	\$ 76.56	MLR-091-KB001-150	\$ 88.14	MLR-171-KB001-150	\$ 120.78
2"	MLR-090-KB001-200	98.11	MLR-091-KB001-200	88.64	MLR-171-KB001-200	139.91
2-1/2"	MLR-090-KB001-250	106.42	MLR-091-KB001-250	103.22	MLR-171-KB001-250	168.18
3-1/4"	MLR-090-KB001-325	120.63	MLR-091-KB001-325	135.39	MLR-171-KB001-325	199.98
4"	MLR-090-KB001-400	139.52	MLR-091-KB001-400	148.96	MLR-171-KB001-400	276.12
5"	MLR-090-KB001-500	148.25	MLR-091-KB001-500	209.60	MLR-171-KB001-500	320.74
6"	MLR-090-KB001-600	178.56	MLR-091-KB001-600	223.97	MLR-171-KB001-600	356.96
7"	MLR-090-KB001-700	189.06	MLR-091-KB001-700	230.78	MLR-171-KB001-700	503.06
8"	MLR-090-KB001-800	194.39	MLR-091-KB001-800	248.59	MLR-171-KB001-800	628.05
10"	MLR-090-KB001-1000	218.07	MLR-091-KB001-1000	277.33	MLR-171-KB001-1000	735.92
12"	MLR-090-KB001-1200	249.88	MLR-091-KB001-1200	349.03	MLR-171-KB001-1200	833.00

MILLER

Piston Kits

HV Series Cylinders Urethane

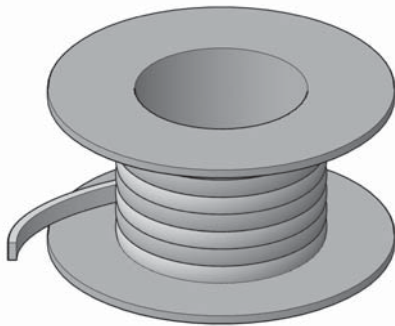
Bore Dia.	(URE) Kit #	List Price
1-1/2"	MLR-181-KB001-150	\$ 53.35
2"	MLR-181-KB001-200	55.62
2-1/2"	MLR-181-KB001-250	58.14
3-1/4"	MLR-181-KB001-325	64.40
4"	MLR-181-KB001-400	69.28
5"	MLR-181-KB001-500	82.02
6"	MLR-181-KB001-600	94.93
7"	MLR-181-KB001-700	96.14
8"	MLR-181-KB001-800	137.12



Kit Includes:
 1 URE Piston Seal
 1 Wear Ring
 2 PTFE Tube End Seals

PTFE Tube Seal Cord

A, C, J, M, & H Cylinders



Part #	Radial Wall	Width	List Price
MLR-008-SH001-30	.030	.070	\$ 120.30
Includes: 30' spool of PTFE Head Seal			
MLR-SH1-STRIP	.030	.070	7.64/ft

MILLER

Piston U-seals

All Current Style Cylinders

Buna-N

PTFE



Bore Dia.	Part #	List Price	Part #	List Price
1-1/2"	MLR-052-PS025-150	\$ 17.56	MLR-052-PS017-150	\$ 16.94
2"	MLR-052-PS025-200	18.20	MLR-052-PS017-200	17.05
2-1/2"	MLR-052-PS025-250	18.84	MLR-052-PS017-250	20.12
3-1/4"	MLR-052-PS025-325	20.45	MLR-052-PS017-325	26.27
4"	MLR-052-PS025-400	20.77	MLR-052-PS017-400	34.84
5"	MLR-052-PS025-500	24.73	MLR-052-PS017-500	52.25
6"	MLR-052-PS025-600	31.69	MLR-052-PS017-600	59.74
7"	MLR-052-PS025-700	19.82	MLR-052-PS017-700	72.58
8"	MLR-052-PS016-800	24.54	MLR-052-PS017-800	84.55
10"	MLR-052-PS025-1000	73.23	MLR-052-PS017-1000	133.52
12"	MLR-052-PS016-1200	58.18	MLR-052-PS017-1200	179.05
14"	MLR-052-PS025-1400	142.18	MLR-052-PS017-1400	184.12
16"	MLR-052-PS025-1600	315.49	MLR-052-PS017-1600	194.86
18"	—		MLR-052-PS017-1800	235.23
20"	—		MLR-052-PS017-2000	679.60

MILLER

MILLER

Wear Rings

Air Service PTFE

Hydraulic Service Acetal

Hydraulic Service Bronze



Bore Dia.	Part #	List Price	Part #	List Price	Part #	List Price
1-1/2"	MLR-052-WR005-150-25	\$ 28.36	MLR-052-WR009-150-25	\$ 22.68	—	—
2"	MLR-052-WR005-200-25	29.85	MLR-052-WR009-200-25	26.12	—	—
2"	—	—	MLR-052-WR009-200-31	26.52	—	—
2-1/2"	MLR-052-WR005-250-25	31.51	MLR-052-WR009-250-25	32.14	—	—
2-1/2"	—	—	MLR-052-WR009-250-38	34.12	—	—
3-1/4"	MLR-052-WR005-325-25	41.76	MLR-052-WR009-325-25	43.98	—	—
3-1/4"	—	—	MLR-052-WR009-325-50	48.80	—	—
4"	MLR-052-WR005-400-25	52.10	MLR-052-WR009-400-25	51.04	—	—
4"	—	—	MLR-052-WR009-400-63	68.99	—	—
5"	MLR-052-WR005-500-25	65.40	—	—	—	—
5"	—	—	MLR-052-WR009-500-75	137.18	—	—
6"	MLR-052-WR005-600-25	78.19	—	—	—	—
6"	—	—	MLR-052-WR009-600-75	177.68	—	—
7"	MLR-052-WR005-700-38	53.41	—	—	—	—
7"	—	—	—	—	MLR-052-WR008-700-75	\$ 185.50
8"	MLR-052-WR005-800-38	75.67	—	—	—	—
8"	—	—	—	—	MLR-052-WR008-800-125	248.36
10"	MLR-052-WR005-1000-38	80.13	—	—	—	—
10"	—	—	—	—	MLR-052-WR008-1000-125	289.76
12"	MLR-052-WR005-1200-38	100.90	—	—	—	—
12"	—	—	—	—	MLR-052-WR008-1200-125	317.21
16"	MLR-052-WR005-1600-50	157.14	—	—	—	—
18"	MLR-052-WR005-1800-50	162.56	—	—	—	—
20"	MLR-052-WR005-2000-50	188.57	—	—	—	—

MILLER

Tube End Seals

Continuous PTFE

A, C, J, M, ER500, & ER3000

H & ER6000



Bore Dia.	Part #	List Price	Part #	List Price
1-1/2"	MLR-090-ES009-150	\$ 9.02	MLR-170-ES010-150	\$ 13.86
2"	MLR-090-ES009-200	16.46	MLR-170-ES010-200	19.62
2-1/2"	MLR-090-ES009-250	16.52	MLR-170-ES010-250	25.46
3-1/4"	MLR-090-ES009-325	16.66	MLR-170-ES010-325	26.54
4"	MLR-090-ES009-400	24.66	MLR-170-ES010-400	31.75
5"	MLR-090-ES009-500	31.05	MLR-170-ES010-500	38.05
6"	MLR-090-ES009-600	38.68	MLR-170-ES010-600	44.03
7"	MLR-090-ES009-700	48.57	MLR-170-ES010-700	49.98
8"	MLR-090-ES009-800	60.45	MLR-170-ES010-800	62.59
10"	MLR-090-ES009-1000	72.10	MLR-170-ES010-1000	72.66
12"	MLR-090-ES009-1200	80.25	MLR-170-ES010-1200	80.97
14"	MLR-090-ES009-1400	79.66	—	—

Various Kits

Kit #	Rod x Bore	List Price
MLR-150-KB001-325	3-1/4	\$ 219.39
MLR-150-KB001-500	5	369.02

Kit Includes:

- 2 Leather Piston Cups
- 2 PTFE Tube End Seals
- 1 PTFE Follower Seal

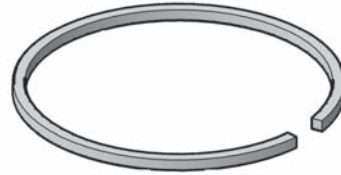
MILLER

Tube End Seals

Strip PTFE

A, C, J, M, ER500, & ER3000

H & ER6000



Bore Dia.	Part #	List Price	Part #	List Price
1-1/2"	MLR-090-ES006-150	\$ 7.57	MLR-170-ES006-150	\$ 7.43
2"	MLR-090-ES006-200	13.19	MLR-170-ES006-200	13.55
2-1/2"	MLR-090-ES006-250	13.87	MLR-170-ES006-250	13.72
3-1/4"	MLR-090-ES006-325	16.05	MLR-170-ES006-325	14.16
4"	MLR-090-ES006-400	19.87	MLR-170-ES006-400	20.18
5"	MLR-090-ES006-500	21.30	MLR-170-ES006-500	21.25
6"	MLR-090-ES006-600	26.31	MLR-170-ES006-600	25.14
7"	MLR-090-ES006-700	25.95	MLR-170-ES006-700	25.95
8"	MLR-090-ES006-800	32.44	MLR-170-ES006-800	32.44
10"	MLR-090-ES006-1000	38.94	MLR-170-ES006-1000	38.94
12"	MLR-090-ES006-1200	45.43	MLR-170-ES006-1200	45.43
14"	MLR-090-ES006-1400	51.92	MLR-170-ES006-1400	51.92
18"	—		MLR-170-ES006-1800	64.91

PTFE Follower Seals

J & H Cylinders

For 3 Piece Pistons From 1956-1977



Part #	Bore		I.D.	Radial Wall	Width	List Price
	H	J				
MLR-052-FS001-44	1-1/2	1-1/2, 2, 2-1/2	7/16	0.070	0.070	\$ 9.81
MLR-052-FS001-75	2, 2-1/2	3-1/4, 4, 5	3/4	0.070	0.070	9.37
MLR-052-FS001-100	3-1/4	6, 7, 8	1	0.142	0.142	14.53
MLR-052-FS001-125	4	10	1-1/4	0.142	0.142	16.13
MLR-052-FS001-150	5	12	1-1/2	0.142	0.142	20.40
MLR-052-FS001-188	6	14	1-7/8	0.142	0.142	22.77
MLR-052-FS001-250	8	-	2-1/2	0.142	0.142	23.55

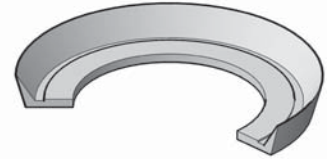
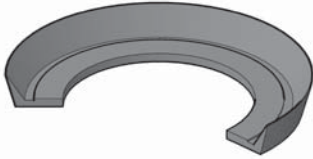
MILLER

Piston Cups

**A, JW, & HW Cylinders
From 1956-1977
Nitrile**

**J & H Cylinders
From 1956-1977
Leather**

**AJ, J, & H Cylinders
From 1956-1977
PTFE**



Bore Dia.	Part #	List Price	Part #	List Price	Part #	List Price
1-1/2"	MLR-052-PS001-150	\$ 11.81	MLR-052-PS003-150	\$ 18.93	MLR-052-PS006-150	\$ 23.49
2"	MLR-052-PS001-200	12.63	MLR-052-PS003-200	23.21	MLR-052-PS006-200	32.20
2-1/2"	MLR-052-PS001-250	17.26	MLR-052-PS003-250	31.10	MLR-052-PS006-250	34.95
3-1/4"	MLR-052-PS001-325	26.94	MLR-052-PS003-325	48.84	MLR-052-PS006-325	45.30
4"	MLR-052-PS001-400	31.43	MLR-052-PS003-400	60.14	MLR-052-PS006-400	55.94
5"	MLR-052-PS001-500	40.72	MLR-052-PS003-500	83.65	MLR-052-PS006-500	83.77
6"	MLR-052-PS001-600	46.30	MLR-052-PS003-600	113.39	MLR-052-PS006-600	101.24
7"	—	—	—	—	MLR-052-PS006-700	243.39
8"	MLR-052-PS001-800	52.91	—	—	MLR-052-PS006-800	136.99
10"	MLR-052-PS001-1000	63.21	—	—	MLR-052-PS006-1000	176.73
12"	MLR-052-PS001-1200	192.65	—	—	MLR-052-PS006-1200	235.72

MILLER

MILLER

Sales Part Number	Description	Rod Size	Bore Size	ID	Radial Wall	Width	List Price
MLR-050-BU022-063	Iron Gland	5/8					\$ 59.04
MLR-050-BU022-100	Iron Gland	1					74.03
MLR-050-BU022-138	Iron Gland	1-3/8					89.83
MLR-050-BU022-175	Iron Gland	1-3/4					128.64
MLR-050-BU022-200	Iron Gland	2					160.16
MLR-050-BU022-250	Iron Gland	2-1/2					258.32
MLR-050-BU022-300	Iron Gland	3					259.87
MLR-050-BU024-063	Iron Gland	5/8					129.63
MLR-050-BU024-100	Iron Gland	1					156.15
MLR-050-BU024-138	Iron Gland	1-3/8					200.92
MLR-050-BU024-175	Iron Gland	1-3/4					203.20
MLR-050-BU024-200	Iron Gland	2					228.08
MLR-050-BU024-250	Iron Gland	2-1/2					263.23
MLR-050-BU024-300	Iron Gland	3					312.28
MLR-050-BU100-063	Iron Gland	5/8					111.83
MLR-050-BU100-100	Iron Gland	1					136.86
MLR-050-BU100-138	Iron Gland	1-3/8					140.40
MLR-050-BU101-063	Iron Gland	5/8					143.16
MLR-050-BU101-100	Iron Gland	1					173.72
MLR-050-BU101-138	Iron Gland	1-3/8					206.19
MLR-050-BU101-175	Iron Gland	1-3/4					183.56
MLR-050-BU101-200	Iron Gland	2					256.30
MLR-050-BU101-250	Iron Gland	2-1/2					358.99
MLR-050-BU101-300	Iron Gland	3					398.59
MLR-050-BU101-350	Iron Gland	3-1/2					470.77
MLR-050-BU101-400	Iron Gland	4					690.00
MLR-050-BU101-450	Iron Gland	4-1/2					746.61
MLR-050-BU101-500	Iron Gland	5					848.37
MLR-050-BU101-550	Iron Gland	5-1/2					929.70
MLR-050-RT005-063	Retainer	5/8					37.26
MLR-050-RT005-100	Retainer	1					41.56
MLR-050-RT005-138	Retainer	1-3/8					53.10
MLR-051-CG001-063	Rod Seal Cage	5/8					22.93
MLR-051-CG001-100	Rod Seal Cage	1					28.02
MLR-051-CG001-138	Rod Seal Cage	1-3/8					29.47
MLR-051-CG001-175	Rod Seal Cage	1-3/4					31.13
MLR-051-CG001-200	Rod Seal Cage	2					34.14
MLR-051-CG001-250	Rod Seal Cage	2-1/2					38.62
MLR-051-CG001-300	Rod Seal Cage	3					53.87
MLR-051-KR010-063	Rod Kit - Gland	5/8					71.73
MLR-051-KR010-100	Rod Kit - Gland	1					96.53
MLR-051-KR010-138	Rod Kit - Gland	1-3/8					109.67
MLR-051-KR010-175	Rod Kit - Gland	1-3/4					161.08
MLR-051-KR010-200	Rod Kit - Gland	2					188.42
MLR-051-KR010-250	Rod Kit - Gland	2-1/2					271.11
MLR-051-KR010-300	Rod Kit - Gland	3					353.84
MLR-051-KR011-063	Rod Kit - Gland	5/8					121.83
MLR-051-KR011-100	Rod Kit - Gland	1					140.94
MLR-051-KR011-138	Rod Kit - Gland	1-3/8					152.56
MLR-051-KR011-175	Rod Kit - Gland	1-3/4					239.93

MILLER

MILLER

Sales Part Number	Description	Rod Size	Bore Size	ID	Radial Wall	Width	List Price
MLR-051-KR011-200	Rod Kit - Gland	2					\$ 271.77
MLR-051-KR011-250	Rod Kit - Gland	2-1/2					349.48
MLR-051-KR011-300	Rod Kit - Gland	3					419.42
MLR-051-KR012-063	Rod Kit - Cage Assembly	5/8					72.33
MLR-051-KR012-100	Rod Kit - Cage Assembly	1					86.59
MLR-051-KR012-138	Rod Kit - Cage Assembly	1-3/8					107.23
MLR-051-KR012-175	Rod Kit - Cage Assembly	1-3/4					130.23
MLR-051-KR012-200	Rod Kit - Cage Assembly	2					152.06
MLR-051-KR012-250	Rod Kit - Cage Assembly	2-1/2					189.30
MLR-051-KR012-300	Rod Kit - Cage Assembly	3					253.46
MLR-051-KR014-063	Rod Kit - Gland	5/8					128.51
MLR-051-KR014-100	Rod Kit - Gland	1					158.39
MLR-051-KR014-138	Rod Kit - Gland	1-3/8					194.71
MLR-051-KR014-175	Rod Kit - Gland	1-3/4					263.78
MLR-051-KR014-200	Rod Kit - Gland	2					318.29
MLR-051-KR014-250	Rod Kit - Gland	2-1/2					392.23
MLR-051-KR014-300	Rod Kit - Gland	3					518.11
MLR-051-KR015-063	Rod Kit - Gland	5/8					158.83
MLR-051-KR015-100	Rod Kit - Gland	1					191.20
MLR-051-KR015-138	Rod Kit - Gland	1-3/8					236.75
MLR-051-KR015-175	Rod Kit - Gland	1-3/4					301.32
MLR-051-KR015-200	Rod Kit - Gland	2					354.23
MLR-051-KR015-250	Rod Kit - Gland	2-1/2					458.03
MLR-051-KR015-300	Rod Kit - Gland	3					571.98
MLR-051-KR024-063	Rod Kit - Cage Assembly	5/8					65.58
MLR-051-KR024-100	Rod Kit - Cage Assembly	1					78.58
MLR-051-KR024-138	Rod Kit - Cage Assembly	1-3/8					97.13
MLR-051-KR024-175	Rod Kit - Cage Assembly	1-3/4					117.94
MLR-051-KR024-200	Rod Kit - Cage Assembly	2					138.01
MLR-051-KR024-250	Rod Kit - Cage Assembly	2-1/2					164.87
MLR-051-KR024-300	Rod Kit - Cage Assembly	3					226.16
MLR-051-KR064-100	Rod Kit - Gland	1					48.31
MLR-051-KR064-138	Rod Kit - Gland	1-3/8					60.19
MLR-051-KR064-063	Rod Kit - Gland	5/8					41.19
MLR-051-KR065-100	Rod Kit - Gland	1					94.74
MLR-051-KR065-138	Rod Kit - Gland	1-3/8					125.76
MLR-051-KR065-175	Rod Kit - Gland	1-3/4					143.80
MLR-051-KR065-200	Rod Kit - Gland	2					154.33
MLR-051-KR065-250	Rod Kit - Gland	2-1/2					180.37
MLR-051-KR065-300	Rod Kit - Gland	3					206.82
MLR-051-KR065-350	Rod Kit - Gland	3-1/2					236.71
MLR-051-KR065-063	Rod Kit - Gland	5/8					96.48
MLR-051-KR074-063	Rod Kit - Gland	5/8					163.23
MLR-051-KR074-100	Rod Kit - Gland	1					203.10
MLR-051-KR074-138	Rod Kit - Gland	1-3/8					239.44
MLR-051-KR075-063	Rod Kit - Gland	5/8					219.26
MLR-051-KR075-100	Rod Kit - Gland	1					264.45
MLR-051-KR075-138	Rod Kit - Gland	1-3/8					309.97
MLR-051-KR075-175	Rod Kit - Gland	1-3/4					335.91
MLR-051-KR075-200	Rod Kit - Gland	2					395.67

MILLER

MILLER

Sales Part Number	Description	Rod Size	Bore Size	ID	Radial Wall	Width	List Price
MLR-051-KR075-250	Rod Kit - Gland	2-1/2					\$ 543.26
MLR-051-KR075-300	Rod Kit - Gland	3					695.88
MLR-051-KR075-350	Rod Kit - Gland	3-1/2					933.33
MLR-051-KR075-400	Rod Kit - Gland	4					1003.48
MLR-051-KR075-450	Rod Kit - Gland	4-1/2					1080.00
MLR-051-KR075-500	Rod Kit - Gland	5					1437.47
MLR-051-KR075-550	Rod Kit - Gland	5-1/2					2011.22
MLR-051-KR080-063	Rod Kit - Seal	5/8					19.40
MLR-051-KR080-100	Rod Kit - Seal	1					34.27
MLR-051-KR080-138	Rod Kit - Seal	1-3/8					45.53
MLR-051-KR080-175	Rod Kit - Seal	1-3/4					56.43
MLR-051-KR080-200	Rod Kit - Seal	2					63.35
MLR-051-KR080-250	Rod Kit - Seal	2-1/2					75.64
MLR-051-KR080-300	Rod Kit - Seal	3					136.23
MLR-051-KR080-350	Rod Kit - Seal	3-1/2					145.97
MLR-051-KR080-400	Rod Kit - Seal	4					163.98
MLR-051-KR080-450	Rod Kit - Seal	4-1/2					185.35
MLR-051-KR080-500	Rod Kit - Seal	5					198.14
MLR-051-KR080-550	Rod Kit - Seal	5-1/2					309.65
MLR-051-PG001-063	Bronze Pressure Ring	5/8					23.01
MLR-051-PG001-100	Bronze Pressure Ring	1					28.74
MLR-051-PG001-138	Bronze Pressure Ring	1-3/8					42.70
MLR-051-PG001-175	Bronze Pressure Ring	1-3/4					57.98
MLR-051-PG001-200	Bronze Pressure Ring	2					67.80
MLR-051-PG001-250	Bronze Pressure Ring	2-1/2					84.50
MLR-051-PG001-300	Bronze Pressure Ring	3					118.34
MLR-051-RS007-063	Hat Packing - PTFE	5/8					10.30
MLR-051-RS007-100	Hat Packing - PTFE	1					13.24
MLR-051-RS007-1000	Hat Packing - PTFE	10					112.99
MLR-051-RS007-138	Hat Packing - PTFE	1-3/8					15.59
MLR-051-RS007-175	Hat Packing - PTFE	1-3/4					16.42
MLR-051-RS007-200	Hat Packing - PTFE	2					16.99
MLR-051-RS007-250	Hat Packing - PTFE	2-1/2					21.77
MLR-051-RS007-300	Hat Packing - PTFE	3					30.31
MLR-051-RS007-350	Hat Packing - PTFE	3-1/2					38.64
MLR-051-RS007-400	Hat Packing - PTFE	4					41.58
MLR-051-RS007-450	Hat Packing - PTFE	4-1/2					48.41
MLR-051-RS007-500	Hat Packing - PTFE	5					52.07
MLR-051-RS007-550	Hat Packing - PTFE	5-1/2					61.15
MLR-051-RS007-700	Hat Packing - PTFE	7					55.11
MLR-051-RS007-800	Hat Packing - PTFE	8					57.70
MLR-051-RS007-900	Hat Packing - PTFE	9					57.74
MLR-051-RS014-063	Hat Packing - Nitrile	5/8					11.39
MLR-051-RS014-100	Hat Packing - Nitrile	1					18.63
MLR-051-RS014-138	Hat Packing - Nitrile	1-3/8					11.62
MLR-051-RS014-175	Hat Packing - Nitrile	1-3/4					14.67
MLR-051-RS014-200	Hat Packing - Nitrile	2					20.40
MLR-051-RS014-250	Hat Packing - Nitrile	2-1/2					23.83
MLR-051-RS014-300	Hat Packing - Nitrile	3					26.26
MLR-051-RS014-350	Hat Packing - Nitrile	3-1/2					37.68

MILLER

MILLER

Sales Part Number	Description	Rod Size	Bore Size	ID	Radial Wall	Width	List Price
MLR-051-RS014-400	Hat Packing - Nitrile	4					\$ 44.81
MLR-051-RS014-450	Hat Packing - Nitrile	4-1/2					51.72
MLR-051-RS014-500	Hat Packing - Nitrile	5					58.74
MLR-051-RS014-550	Hat Packing - Nitrile	5-1/2					65.66
MLR-051-WP001-063	U' Style Wiper - PTFE	5/8					7.43
MLR-051-WP001-100	U' Style Wiper - PTFE	1					8.81
MLR-051-WP001-1000	U' Style Wiper - PTFE	10					89.62
MLR-051-WP001-138	U' Style Wiper - PTFE	1-3/8					11.12
MLR-051-WP001-175	U' Style Wiper - PTFE	1-3/4					13.53
MLR-051-WP001-200	U' Style Wiper - PTFE	2					15.42
MLR-051-WP001-250	U' Style Wiper - PTFE	2-1/2					26.84
MLR-051-WP001-300	U' Style Wiper - PTFE	3					29.96
MLR-051-WP001-350	U' Style Wiper - PTFE	3-1/2					33.85
MLR-051-WP001-400	U' Style Wiper - PTFE	4					38.45
MLR-051-WP001-450	U' Style Wiper - PTFE	4-1/2					50.33
MLR-051-WP001-500	U' Style Wiper - PTFE	5					54.22
MLR-051-WP001-550	U' Style Wiper - PTFE	5-1/2					55.15
MLR-051-WP001-700	U' Style Wiper - PTFE	7					53.90
MLR-051-WP001-800	U' Style Wiper - PTFE	8					47.84
MLR-051-WP001-900	U' Style Wiper - PTFE	9					60.73
MLR-051-WS003-200	Wave Spring	2					20.47
MLR-051-WS003-250	Wave Spring	2-1/2					21.54
MLR-051-WS003-300	Wave Spring	3					25.82
MLR-051-WS004-063	Wave Spring	5/8					16.83
MLR-051-WS004-100	Wave Spring	1					16.83
MLR-051-WS004-138	Wave Spring	1-3/8					16.83
MLR-051-WS004-175	Wave Spring	1-3/4					16.83
MLR-052-FS001-100	Follower Seal			1	0.142	0.142	14.53
MLR-052-FS001-125	Follower Seal			1-1/4	0.142	0.142	16.13
MLR-052-FS001-150	Follower Seal			1-1/2	0.142	0.142	20.40
MLR-052-FS001-188	Follower Seal			1-7/8	0.142	0.142	22.77
MLR-052-FS001-250	Follower Seal			2-1/2	0.142	0.142	23.55
MLR-052-FS001-44	Follower Seal			7/16	0.070	0.070	9.81
MLR-052-FS001-75	Follower Seal			3/4	0.070	0.070	9.37
MLR-052-PS001-1000	Piston Cup - Nitrile		10				63.21
MLR-052-PS001-1200	Piston Cup - Nitrile		12				192.65
MLR-052-PS001-150	Piston Cup - Nitrile		1-1/2				11.81
MLR-052-PS001-200	Piston Cup - Nitrile		2				12.63
MLR-052-PS001-250	Piston Cup - Nitrile		2-1/2				17.26
MLR-052-PS001-325	Piston Cup - Nitrile		3-1/4				26.94
MLR-052-PS001-400	Piston Cup - Nitrile		4				31.43
MLR-052-PS001-500	Piston Cup - Nitrile		5				40.72
MLR-052-PS001-600	Piston Cup - Nitrile		6				46.30
MLR-052-PS001-800	Piston Cup - Nitrile		8				52.91
MLR-052-PS003-150	Piston Cup - Leather		1-1/2				18.93
MLR-052-PS003-200	Piston Cup - Leather		2				23.21
MLR-052-PS003-250	Piston Cup - Leather		2-1/2				31.10
MLR-052-PS003-325	Piston Cup - Leather		3-1/4				48.84
MLR-052-PS003-400	Piston Cup - Leather		4				60.14
MLR-052-PS003-500	Piston Cup - Leather		5				83.65

MILLER

MILLER

Sales Part Number	Description	Rod Size	Bore Size	ID	Radial Wall	Width	List Price
MLR-052-PS003-600	Piston Cup - Leather		6				\$ 113.39
MLR-052-PS006-1000	Piston Cup - PTFE		10				176.73
MLR-052-PS006-1200	Piston Cup - PTFE		12				235.72
MLR-052-PS006-150	Piston Cup - PTFE		1-1/2				23.49
MLR-052-PS006-200	Piston Cup - PTFE		2				32.20
MLR-052-PS006-250	Piston Cup - PTFE		2-1/2				34.95
MLR-052-PS006-325	Piston Cup - PTFE		3-1/4				45.30
MLR-052-PS006-400	Piston Cup - PTFE		4				55.94
MLR-052-PS006-500	Piston Cup - PTFE		5				83.77
MLR-052-PS006-600	Piston Cup - PTFE		6				101.24
MLR-052-PS006-700	Piston Cup - PTFE		7				243.39
MLR-052-PS006-800	Piston Cup - PTFE		8				136.99
MLR-052-PS016-1200	Piston U-seal - Nitrile		12				58.18
MLR-052-PS016-800	Piston U-seal - Nitrile		8				24.54
MLR-052-PS017-1000	Piston U-seal - PTFE		10				133.52
MLR-052-PS017-1200	Piston U-seal - PTFE		12				179.05
MLR-052-PS017-1400	Piston U-seal - PTFE		14				184.12
MLR-052-PS017-150	Piston U-seal - PTFE		1-1/2				16.94
MLR-052-PS017-1600	Piston U-seal - PTFE		16				194.86
MLR-052-PS017-1800	Piston U-seal - PTFE		18				235.23
MLR-052-PS017-200	Piston U-seal - PTFE		2				17.05
MLR-052-PS017-2000	Piston U-seal - PTFE		20				679.60
MLR-052-PS017-250	Piston U-seal - PTFE		2-1/2				20.12
MLR-052-PS017-325	Piston U-seal - PTFE		3-1/4				26.27
MLR-052-PS017-400	Piston U-seal - PTFE		4				34.84
MLR-052-PS017-500	Piston U-seal - PTFE		5				52.25
MLR-052-PS017-600	Piston U-seal - PTFE		6				59.74
MLR-052-PS017-700	Piston U-seal - PTFE		7				72.58
MLR-052-PS017-800	Piston U-seal - PTFE		8				84.55
MLR-052-PS025-1000	Piston U-seal - Nitrile		10				73.23
MLR-052-PS025-1400	Piston U-seal - Nitrile		14				142.18
MLR-052-PS025-150	Piston U-seal - Nitrile		1-1/2				17.56
MLR-052-PS025-1600	Piston U-seal - Nitrile		16				315.49
MLR-052-PS025-200	Piston U-seal - Nitrile		2				18.20
MLR-052-PS025-250	Piston U-seal - Nitrile		2-1/2				18.84
MLR-052-PS025-325	Piston U-seal - Nitrile		3-1/4				20.45
MLR-052-PS025-400	Piston U-seal - Nitrile		4				20.77
MLR-052-PS025-500	Piston U-seal - Nitrile		5				24.73
MLR-052-PS025-600	Piston U-seal - Nitrile		6				31.69
MLR-052-PS025-700	Piston U-seal - Nitrile		7				19.82
MLR-052-WR005-1000-38	Wear Ring - PTFE		10				80.13
MLR-052-WR005-1200-38	Wear Ring - PTFE		12				100.90
MLR-052-WR005-150-25	Wear Ring - PTFE		1-1/2				28.36
MLR-052-WR005-1600-50	Wear Ring - PTFE		16				157.14
MLR-052-WR005-1800-50	Wear Ring - PTFE		18				162.56
MLR-052-WR005-2000-50	Wear Ring - PTFE		20				188.57
MLR-052-WR005-200-25	Wear Ring - PTFE		2				29.85
MLR-052-WR005-250-25	Wear Ring - PTFE		2-1/2				31.51
MLR-052-WR005-325-25	Wear Ring - PTFE		3-1/4				41.76
MLR-052-WR005-400-25	Wear Ring - PTFE		4				52.10

MILLER

Sales Part Number	Description	Rod Size	Bore Size	ID	Radial Wall	Width	List Price
MLR-052-WR005-500-25	Wear Ring - PTFE		5				\$ 65.40
MLR-052-WR005-600-25	Wear Ring - PTFE		6				78.19
MLR-052-WR005-700-38	Wear Ring - PTFE		7				53.41
MLR-052-WR005-800-38	Wear Ring - PTFE		8				75.67
MLR-052-WR008-1000-125	Wear Ring - Bronze		10				289.76
MLR-052-WR008-1200-125	Wear Ring - Bronze		12				317.21
MLR-052-WR008-700-75	Wear Ring - Bronze		7				185.50
MLR-052-WR008-800-125	Wear Ring - Bronze		8				248.36
MLR-052-WR009-150-25	Wear Ring - Acetal		1-1/2				22.68
MLR-052-WR009-200-25	Wear Ring - Acetal		2				26.12
MLR-052-WR009-200-31	Wear Ring - Acetal		2				26.52
MLR-052-WR009-250-25	Wear Ring - Acetal		2-1/2				32.14
MLR-052-WR009-250-38	Wear Ring - Acetal		2-1/2				34.12
MLR-052-WR009-325-25	Wear Ring - Acetal		3-1/4				43.98
MLR-052-WR009-325-50	Wear Ring - Acetal		3-1/4				48.80
MLR-052-WR009-400-25	Wear Ring - Acetal		4				51.04
MLR-052-WR009-400-63	Wear Ring - Acetal		4				68.99
MLR-052-WR009-500-75	Wear Ring - Acetal		5				137.18
MLR-052-WR009-600-75	Wear Ring - Acetal		6				177.68
MLR-090-ES006-1000	Tube End Seal		10				38.94
MLR-090-ES006-1200	Tube End Seal		12				45.43
MLR-090-ES006-1400	Tube End Seal		14				51.92
MLR-090-ES006-150	Tube End Seal		1-1/2				7.57
MLR-090-ES006-200	Tube End Seal		2				13.19
MLR-090-ES006-250	Tube End Seal		2-1/2				13.87
MLR-090-ES006-325	Tube End Seal		3-1/4				16.05
MLR-090-ES006-400	Tube End Seal		4				19.87
MLR-090-ES006-500	Tube End Seal		5				21.30
MLR-090-ES006-600	Tube End Seal		6				26.31
MLR-090-ES006-700	Tube End Seal		7				25.95
MLR-090-ES006-800	Tube End Seal		8				32.44
MLR-090-ES009-1000	Tube End Seal		10				72.10
MLR-090-ES009-1200	Tube End Seal		12				80.25
MLR-090-ES009-1400	Tube End Seal		14				79.66
MLR-090-ES009-150	Tube End Seal		1-1/2				9.02
MLR-090-ES009-200	Tube End Seal		2				16.46
MLR-090-ES009-250	Tube End Seal		2-1/2				16.52
MLR-090-ES009-325	Tube End Seal		3-1/4				16.66
MLR-090-ES009-400	Tube End Seal		4				24.66
MLR-090-ES009-500	Tube End Seal		5				31.05
MLR-090-ES009-600	Tube End Seal		6				38.68
MLR-090-ES009-700	Tube End Seal		7				48.57
MLR-090-ES009-800	Tube End Seal		8				60.45
MLR-090-KB001-1000	Piston Kit		10				218.07
MLR-090-KB001-1200	Piston Kit		12				249.88
MLR-090-KB001-150	Piston Kit		1-1/2				76.56
MLR-090-KB001-200	Piston Kit		2				98.11
MLR-090-KB001-250	Piston Kit		2-1/2				106.42
MLR-090-KB001-325	Piston Kit		3-1/4				120.63
MLR-090-KB001-400	Piston Kit		4				139.52

MILLER

MILLER

MILLER

Sales Part Number	Description	Rod Size	Bore Size	ID	Radial Wall	Width	List Price
MLR-090-KB001-500	Piston Kit		5				\$ 148.25
MLR-090-KB001-600	Piston Kit		6				178.56
MLR-090-KB001-700	Piston Kit		7				189.06
MLR-090-KB001-800	Piston Kit		8				194.39
MLR-091-KB001-1000	Piston Kit		10				277.33
MLR-091-KB001-1200	Piston Kit		12				349.03
MLR-091-KB001-150	Piston Kit		1-1/2				88.14
MLR-091-KB001-200	Piston Kit		2				88.64
MLR-091-KB001-250	Piston Kit		2-1/2				103.22
MLR-091-KB001-325	Piston Kit		3-1/4				135.39
MLR-091-KB001-400	Piston Kit		4				148.96
MLR-091-KB001-500	Piston Kit		5				209.60
MLR-091-KB001-600	Piston Kit		6				223.97
MLR-091-KB001-700	Piston Kit		7				230.78
MLR-091-KB001-800	Piston Kit		8				248.59
MLR-150-KB001-325	Piston Kit		3-1/4				219.39
MLR-150-KB001-500	Piston Kit		5				369.02
MLR-170-ES006-1000	Tube End Seal		10				38.94
MLR-170-ES006-1200	Tube End Seal		12				45.43
MLR-170-ES006-1400	Tube End Seal		14				51.92
MLR-170-ES006-150	Tube End Seal		1-1/2				7.43
MLR-170-ES006-1800	Tube End Seal		18				64.91
MLR-170-ES006-200	Tube End Seal		2				13.55
MLR-170-ES006-250	Tube End Seal		2-1/2				13.72
MLR-170-ES006-325	Tube End Seal		3-1/4				14.16
MLR-170-ES006-400	Tube End Seal		4				20.18
MLR-170-ES006-500	Tube End Seal		5				21.25
MLR-170-ES006-600	Tube End Seal		6				25.14
MLR-170-ES006-700	Tube End Seal		7				25.95
MLR-170-ES006-800	Tube End Seal		8				32.44
MLR-170-ES010-1000	Tube End Seal		10				72.66
MLR-170-ES010-1200	Tube End Seal		12				80.97
MLR-170-ES010-150	Tube End Seal		1-1/2				13.86
MLR-170-ES010-200	Tube End Seal		2				19.62
MLR-170-ES010-250	Tube End Seal		2-1/2				25.46
MLR-170-ES010-325	Tube End Seal		3-1/4				26.54
MLR-170-ES010-400	Tube End Seal		4				31.75
MLR-170-ES010-500	Tube End Seal		5				38.05
MLR-170-ES010-600	Tube End Seal		6				44.03
MLR-170-ES010-700	Tube End Seal		7				49.98
MLR-170-ES010-800	Tube End Seal		8				62.59
MLR-171-KB001-1000	Piston Kit		10				735.92
MLR-171-KB001-1200	Piston Kit		12				833.00
MLR-171-KB001-150	Piston Kit		1-1/2				120.78
MLR-171-KB001-200	Piston Kit		2				139.91
MLR-171-KB001-250	Piston Kit		2-1/2				168.18
MLR-171-KB001-325	Piston Kit		3-1/4				199.98
MLR-171-KB001-400	Piston Kit		4				276.12
MLR-171-KB001-500	Piston Kit		5				320.74
MLR-171-KB001-600	Piston Kit		6				356.96

MILLER

Sales Part Number	Description	Rod Size	Bore Size	ID	Radial Wall	Width	List Price
MLR-171-KB001-700	Piston Kit		7				\$ 503.06
MLR-171-KB001-800	Piston Kit		8				628.05
MLR-181-KB001-150	Piston Kit		1-1/2				53.35
MLR-181-KB001-200	Piston Kit		2				55.62
MLR-181-KB001-250	Piston Kit		2-1/2				58.14
MLR-181-KB001-325	Piston Kit		3-1/4				64.40
MLR-181-KB001-400	Piston Kit		4				69.28
MLR-181-KB001-500	Piston Kit		5				82.02
MLR-181-KB001-600	Piston Kit		6				94.93
MLR-181-KB001-700	Piston Kit		7				96.14
MLR-181-KB001-800	Piston Kit		8				137.12
MLR-RG065-063	Iron Gland		5/8				36.44
MLR-RG065-100	Iron Gland		1				42.44
MLR-RG065-138	Iron Gland		1-3/8				53.06
MLR-RG065-175	Iron Gland		1-3/4				136.56
MLR-RG065-200	Iron Gland		2				147.69
MLR-RG065-250	Iron Gland		2-1/2				172.06
MLR-RG065-300	Iron Gland		3				197.38
MLR-RG065-350	Iron Gland		3-1/2				220.31
MLR-008-SH001-30	0.03cs x 0.07w PTFE strip (30' Spool)						120.30
MLR-SH1-STRIP	0.03cs x 0.07w PTFE strip (sold by the foot)						7.64

MILLER