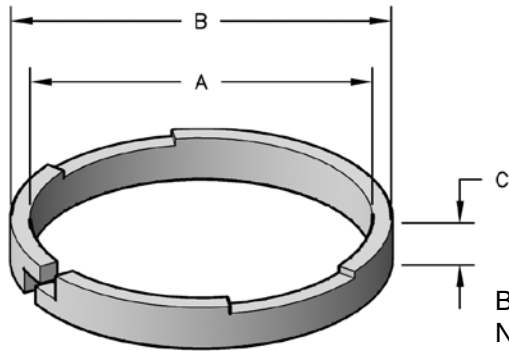


# STYLE MRT CUSHION SEALS



**PART NUMBERS**

**MRT - 30B**  
Style Prefix      Outside Diameter

B = Bronze  
N = Nylon  
P = Reinforced Phenolic

## SEAL INFORMATION

|                   |  |
|-------------------|--|
| MATERIAL          | NYLON OR REINFORCED PHENOLIC               |
| TEMPERATURE RANGE | N = -67° TO +212° F<br>P = -67° TO +248° F |
| PRESSURE RANGE    | 0 TO 5,000 PSI                             |

| Part Number | A Nom. ID | B Nom. OD | C Nom. Ht | INSIDE DIAMETER | OUTSIDE DIAMETER | C HEIGHT                                 | CROSS SECTION                            | SPLIT TYPE | MATERIAL | List Price |
|-------------|-----------|-----------|-----------|-----------------|------------------|--|--|------------|----------|------------|
| MRT-22      | 17.8      | 22        | 3.5       | 19.40           | 23.60            | 3.50 <sup>-0.01</sup> / <sub>-0.15</sub> | 2.10 <sup>-0.01</sup> / <sub>-0.07</sub> | BUTTCUT    | NYLON    | \$7.20     |
| MRT-30B     | 25        | 30        | 5         | 24.80           | 30.00            | 5.00 <sup>+0.00</sup> / <sub>-0.13</sub> | 2.60 <sup>-0.01</sup> / <sub>-0.07</sub> | BUTTCUT    | PHENOLIC | 25.30      |
| MRT-30A     | 26        | 30        | 5         | 25.80           | 30.00            | 4.95 <sup>+0.00</sup> / <sub>-0.13</sub> | 2.10 <sup>-0.01</sup> / <sub>-0.07</sub> | BUTTCUT    | PHENOLIC | 24.12      |
| MRT-38B     | 32        | 38        | 6         | 31.76           | 38.00            | 6.00 <sup>+0.00</sup> / <sub>-0.13</sub> | 3.12 <sup>-0.01</sup> / <sub>-0.07</sub> | BUTTCUT    | NYLON    | 24.88      |
| MRT-38C     | 32        | 38        | 6         | 31.76           | 38.00            | 6.00 <sup>+0.00</sup> / <sub>-0.13</sub> | 3.12 <sup>-0.01</sup> / <sub>-0.07</sub> | BUTTCUT    | PHENOLIC | 24.88      |
| MRT-38      | 33        | 38        | 6         | 33.00           | 38.00            | 6.00 <sup>+0.00</sup> / <sub>-0.13</sub> | 2.50 <sup>-0.01</sup> / <sub>-0.07</sub> | BUTTCUT    | NYLON    | 24.19      |
| MRT-40      | 34        | 39        | 6         | 33.65           | 38.85            | 6.00 <sup>+0.00</sup> / <sub>-0.08</sub> | 2.60 <sup>-0.01</sup> / <sub>-0.07</sub> | BUTTCUT    | PHENOLIC | 23.27      |
| MRT-45A     | 39        | 45        | 6         | 38.76           | 45.00            | 6.00 <sup>-0.01</sup> / <sub>-0.07</sub> | 3.12 <sup>-0.01</sup> / <sub>-0.07</sub> | BUTTCUT    | NYLON    | 23.47      |
| MRT-46B     | 40        | 46        | 6         | 39.80           | 46.00            | 6.00 <sup>+0.00</sup> / <sub>-0.07</sub> | 3.10 <sup>-0.01</sup> / <sub>-0.07</sub> | BUTTCUT    | NYLON    | 46.85      |
| MRT-46      | 41        | 46        | 6         | 41.00           | 46.00            | 6.00 <sup>+0.00</sup> / <sub>-0.13</sub> | 2.50 <sup>-0.01</sup> / <sub>-0.07</sub> | BUTTCUT    | NYLON    | 17.49      |
| MRT-46C     | 41        | 47        | 6         | 41.00           | 47.00            | 6.00 <sup>+0.00</sup> / <sub>-0.13</sub> | 3.00 <sup>-0.01</sup> / <sub>-0.07</sub> | BUTTCUT    | PHENOLIC | 5.75       |
| MRT-52      | 46        | 52        | 6         | 45.60           | 51.60            | 6.00 <sup>-0.01</sup> / <sub>-0.14</sub> | 3.00 <sup>-0.01</sup> / <sub>-0.07</sub> | BUTTCUT    | PHENOLIC | 21.42      |
| MRT-55A     | 48        | 54        | 6         | 48.50           | 54.42            | 6.00 <sup>+0.00</sup> / <sub>-0.25</sub> | 2.96 ±0.03                               | STEPCUT    | PHENOLIC | 23.78      |
| MRT-65B     | 58        | 64        | 6         | 58.10           | 64.00            | 6.00                                     | 2.95                                     | STEPCUT    | NYLON    | 28.82      |
| MRT-65A     | 59        | 65        | 6         | 58.76           | 65.00            | 6.00 <sup>-0.01</sup> / <sub>-0.07</sub> | 3.12 <sup>-0.01</sup> / <sub>-0.07</sub> | BUTTCUT    | PHENOLIC | 28.82      |
| MRT-65      | 60        | 65        | 6         | 60.00           | 65.00            | 6.00 <sup>+0.00</sup> / <sub>-0.13</sub> | 2.50 <sup>-0.01</sup> / <sub>-0.07</sub> | BUTTCUT    | NYLON    | 27.24      |
| MRT-70A     | 63        | 69        | 6         | 63.00           | 69.00            | 6.00 <sup>+0.00</sup> / <sub>-0.13</sub> | 3.00 <sup>-0.01</sup> / <sub>-0.07</sub> | STEPCUT    | PHENOLIC | 28.82      |
| MRT-70B     | 64        | 70        | 6         | 64.00           | 70.00            | 6.00 <sup>+0.00</sup> / <sub>-0.13</sub> | 3.00 <sup>-0.01</sup> / <sub>-0.07</sub> | BUTTCUT    | NYLON    | 5.06       |
| MRT-70      | 65        | 70        | 6         | 65.00           | 70.00            | 6.00 <sup>+0.00</sup> / <sub>-0.13</sub> | 2.50 <sup>-0.01</sup> / <sub>-0.07</sub> | BUTTCUT    | NYLON    | 30.25      |
| MRT-72A     | 65        | 71        | 6         | 64.80           | 70.80            | 6.00 <sup>+0.00</sup> / <sub>-0.13</sub> | 3.00 <sup>-0.01</sup> / <sub>-0.07</sub> | STEPCUT    | PHENOLIC | 29.68      |
| MRT-72      | 66        | 72        | 8         | 66.00           | 72.00            | 8.00 <sup>-0.01</sup> / <sub>-0.07</sub> | 3.00 <sup>-0.01</sup> / <sub>-0.07</sub> | STEPCUT    | PHENOLIC | 17.53      |
| MRT-75A     | 68        | 74        | 6         | 68.00           | 74.00            | 6.00 <sup>+0.00</sup> / <sub>-0.13</sub> | 3.00 <sup>-0.01</sup> / <sub>-0.07</sub> | STEPCUT    | PHENOLIC | 30.75      |

## STYLE MRT CUSHION SEALS

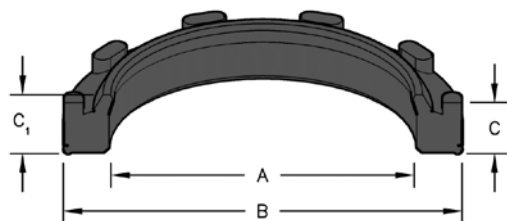
| Part Number | A Nom. ID | B Nom. OD | C Nom. Ht | INSIDE DIAMETER | OUTSIDE DIAMETER | C HEIGHT                                  | CROSS SECTION                            | SPLIT TYPE | MATERIAL | List Price |
|-------------|-----------|-----------|-----------|-----------------|------------------|---|--|------------|----------|------------|
| MRT-75C     | 69        | 75        | 6         | 68.76           | 75.00            | 6.00 <sup>-0.01</sup> / <sub>-0.07</sub>  | 3.12 <sup>-0.01</sup> / <sub>-0.07</sub> | BUTTCUT    | PHENOLIC | 30.00      |
| MRT-80A     | 69        | 79        | 8         | 69.00           | 78.85            | 8.00 <sup>+0.00</sup> / <sub>-0.13</sub>  | 5.00 <sup>-0.01</sup> / <sub>-0.07</sub> | STEPCUT    | PHENOLIC | 27.63      |
| MRT-80B     | 69        | 79        | 10        | 68.85           | 78.85            | 10.00 <sup>+0.00</sup> / <sub>-0.13</sub> | 5.00 <sup>-0.01</sup> / <sub>-0.07</sub> | STEPCUT    | PHENOLIC | 21.34      |
| MRT-75      | 70        | 75        | 6         | 70.00           | 75.00            | 6.00 <sup>+0.00</sup> / <sub>-0.13</sub>  | 2.50 <sup>-0.01</sup> / <sub>-0.07</sub> | BUTTCUT    | NYLON    | 33.62      |
| MRT-80C     | 74        | 80        | 6         | 73.76           | 80.00            | 6.00 <sup>-0.01</sup> / <sub>-0.07</sub>  | 3.12 <sup>-0.01</sup> / <sub>-0.07</sub> | BUTTCUT    | PHENOLIC | 30.18      |
| MRT-85A     | 74        | 84        | 8         | 74.00           | 84.00            | 8.00 <sup>+0.00</sup> / <sub>-0.13</sub>  | 5.00 <sup>-0.01</sup> / <sub>-0.07</sub> | STEPCUT    | PHENOLIC | 27.89      |
| MRT-80      | 75        | 80        | 6         | 75.00           | 80.00            | 6.00 <sup>+0.00</sup> / <sub>-0.13</sub>  | 2.50 <sup>-0.01</sup> / <sub>-0.07</sub> | BUTTCUT    | NYLON    | 36.94      |
| MRT-85C     | 75        | 85        | 10        | 75.00           | 85.00            | 10.00 <sup>-0.01</sup> / <sub>-0.14</sub> | 5.00 <sup>-0.01</sup> / <sub>-0.07</sub> | STEPCUT    | PHENOLIC | 27.74      |
| MRT-85B     | 79        | 85        | 6         | 78.76           | 85.00            | 6.00 <sup>-0.01</sup> / <sub>-0.08</sub>  | 3.12 <sup>-0.01</sup> / <sub>-0.07</sub> | BUTTCUT    | NYLON    | 27.24      |
| MRT-90A     | 79        | 89        | 8         | 79.00           | 89.00            | 8.00 <sup>+0.00</sup> / <sub>-0.13</sub>  | 5.00 <sup>-0.01</sup> / <sub>-0.07</sub> | STEPCUT    | PHENOLIC | 28.15      |
| MRT-85      | 80        | 85        | 6         | 80.00           | 85.00            | 6.00 <sup>+0.00</sup> / <sub>-0.13</sub>  | 2.50 <sup>-0.01</sup> / <sub>-0.07</sub> | BUTTCUT    | NYLON    | 23.55      |
| MRT-89A     | 80.5      | 90.5      | 10        | 78.50           | 88.40            | 10.00 <sup>-0.01</sup> / <sub>-0.14</sub> | 5.00 <sup>-0.01</sup> / <sub>-0.07</sub> | STEPCUT    | PHENOLIC | 21.58      |
| MRT-87      | 81        | 87        | 6         | 80.76           | 87.00            | 6.00 <sup>-0.01</sup> / <sub>-0.07</sub>  | 3.12 <sup>-0.01</sup> / <sub>-0.07</sub> | BUTTCUT    | NYLON    | 3.69       |
| MRT-89      | 84        | 89        | 6         | 84.00           | 89.00            | 6.00 <sup>+0.00</sup> / <sub>-0.13</sub>  | 2.50 <sup>-0.01</sup> / <sub>-0.07</sub> | BUTTCUT    | PHENOLIC | 34.98      |
| MRT-90C     | 84        | 90        | 6         | 83.76           | 90.00            | 6.00 <sup>-0.01</sup> / <sub>-0.07</sub>  | 3.12 <sup>-0.01</sup> / <sub>-0.07</sub> | BUTTCUT    | PHENOLIC | 31.34      |
| MRT-95A     | 84        | 94        | 8         | 83.70           | 93.70            | 8.00 <sup>+0.00</sup> / <sub>-0.13</sub>  | 5.00 <sup>-0.01</sup> / <sub>-0.07</sub> | STEPCUT    | PHENOLIC | 26.91      |
| MRT-90      | 85        | 90        | 6         | 85.00           | 90.00            | 6.00 <sup>+0.00</sup> / <sub>-0.13</sub>  | 2.50 <sup>-0.01</sup> / <sub>-0.07</sub> | BUTTCUT    | NYLON    | 40.69      |
| MRT-95B     | 89        | 95        | 6         | 88.76           | 95.00            | 6.00 <sup>-0.01</sup> / <sub>-0.08</sub>  | 3.12 <sup>-0.01</sup> / <sub>-0.07</sub> | BUTTCUT    | NYLON    | 20.63      |
| MRT-100A    | 89        | 99        | 8         | 88.85           | 98.85            | 8.00 <sup>+0.00</sup> / <sub>-0.13</sub>  | 5.00 <sup>-0.01</sup> / <sub>-0.07</sub> | STEPCUT    | PHENOLIC | 28.64      |
| MRT-95      | 90        | 95        | 6         | 90.00           | 95.00            | 6.00 <sup>+0.00</sup> / <sub>-0.13</sub>  | 2.50 <sup>-0.01</sup> / <sub>-0.07</sub> | BUTTCUT    | NYLON    | 44.74      |
| MRT-98      | 92.5      | 98.5      | 6         | 92.26           | 98.50            | 6.00 <sup>-0.01</sup> / <sub>-0.07</sub>  | 3.12 <sup>-0.01</sup> / <sub>-0.07</sub> | BUTTCUT    | NYLON    | 24.82      |
| MRT-105A    | 94        | 104       | 8         | 93.50           | 103.50           | 8.00 <sup>+0.00</sup> / <sub>-0.13</sub>  | 5.00 <sup>-0.01</sup> / <sub>-0.07</sub> | STEPCUT    | PHENOLIC | 32.44      |
| MRT-100     | 95        | 100       | 6         | 95.00           | 100.00           | 6.00 <sup>+0.00</sup> / <sub>-0.13</sub>  | 2.50 <sup>-0.01</sup> / <sub>-0.07</sub> | BUTTCUT    | NYLON    | 25.89      |
| MRT-104A    | 95        | 105       | 10        | 94.10           | 104.00           | 10.00 <sup>-0.01</sup> / <sub>-0.14</sub> | 5.00 <sup>-0.01</sup> / <sub>-0.07</sub> | STEPCUT    | PHENOLIC | 27.54      |
| MRT-105     | 100       | 105       | 6         | 99.84           | 105.00           | 6.00 <sup>+0.00</sup> / <sub>-0.13</sub>  | 2.58 <sup>-0.01</sup> / <sub>-0.05</sub> | BUTTCUT    | PHENOLIC | 36.48      |
| MRT-110C    | 100       | 110       | 10        | 100.00          | 110.00           | 10.00 <sup>-0.01</sup> / <sub>-0.14</sub> | 5.00 <sup>-0.01</sup> / <sub>-0.07</sub> | STEPCUT    | PHENOLIC | 32.25      |
| MRT-107     | 102       | 107       | 6         | 105.00          | 107.00           | 6.00 $\pm 0.13$                           | 2.60 <sup>+0.00</sup> / <sub>-0.05</sub> | BUTTCUT    | PHENOLIC | 27.14      |
| MRT-111BBZ  | 103.3     | 109.6     | 6         | 103.30          | 109.60           | 6.00 <sup>+0.00</sup> / <sub>-0.13</sub>  | 3.15 <sup>+0.00</sup> / <sub>-0.07</sub> | BUTTCUT    | BRONZE   | 60.64      |
| MRT-110BZ   | 104.8     | 110       | 6         | 104.80          | 110.00           | 6.00 <sup>+0.00</sup> / <sub>-0.10</sub>  | 2.60 <sup>+0.00</sup> / <sub>-0.07</sub> | BUTTCUT    | BRONZE   | 81.22      |
| MRT-115ABZ  | 108.8     | 115.1     | 6         | 108.80          | 115.10           | 6.00 <sup>+0.00</sup> / <sub>-0.07</sub>  | 3.15 <sup>+0.00</sup> / <sub>-0.07</sub> | BUTTCUT    | BRONZE   | 68.81      |
| MRT-115B    | 109       | 115       | 6         | 109.00          | 115.00           | 6.00 $\pm 0.13$                           | 3.00 <sup>+0.00</sup> / <sub>-0.07</sub> | BUTTCUT    | NYLON    | 20.77      |

## STYLE MRT CUSHION SEALS

| Part Number | A<br>Nom. ID | B<br>Nom. OD | C<br>Nom. Ht | INSIDE<br>DIAMETER | OUTSIDE<br>DIAMETER | C<br>HEIGHT                             | CROSS<br>SECTION                       | SPLIT TYPE | MATERIAL | List<br>Price |
|-------------|--------------|--------------|--------------|--------------------|---------------------|---|--|------------|----------|---------------|
| MRT-120A    | 109          | 119          | 8            | 108.50             | 118.50              | 8.00 <sup>+0.00</sup> <sub>-0.13</sub>  | 5.00 <sup>-0.01</sup> <sub>-0.07</sub> | STEEPCUT   | PHENOLIC | 33.29         |
| MRT-115     | 110          | 115          | 6            | 109.80             | 115.00              | 6.00 <sup>+0.00</sup> <sub>-0.13</sub>  | 2.60 <sup>+0.00</sup> <sub>-0.08</sub> | BUTTCUT    | PHENOLIC | 20.95         |
| MRT-120BZ   | 114.8        | 120          | 6            | 114.80             | 120.00              | 6.00 <sup>+0.00</sup> <sub>-0.10</sub>  | 2.60 <sup>+0.00</sup> <sub>-0.07</sub> | BUTTCUT    | BRONZE   | 81.89         |
| MRT-120     | 115          | 120          | 6            | 115.00             | 120.00              | 6.00 $\pm 0.13$                         | 2.60 <sup>+0.00</sup> <sub>-0.05</sub> | BUTTCUT    | PHENOLIC | 27.14         |
| MRT-128A    | 116          | 128          | 10           | 116.00             | 128.00              | 10.00 <sup>+0.00</sup> <sub>-0.13</sub> | 6.00 <sup>-0.01</sup> <sub>-0.07</sub> | STEEPCUT   | PHENOLIC | 30.51         |
| MRT-134A    | 122          | 134          | 10           | 122.00             | 134.00              | 10.00 <sup>+0.00</sup> <sub>-0.13</sub> | 6.00 <sup>-0.01</sup> <sub>-0.07</sub> | STEEPCUT   | PHENOLIC | 30.84         |

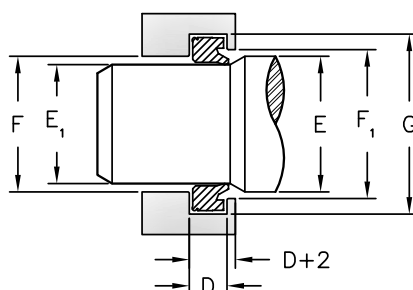
# STYLE MCK53 CUSHION SEALS

Molded in 92A urethane, the MCK53 is a pneumatic cushion seal with specially designed spacer lugs and flow passages to cushion at the end of the stroke in a pneumatic cylinder.



**PART NUMBERS**

**MCK53 - 012**  
 Style Prefix      Inside Diameter



| SEAL INFORMATION  |               |
|-------------------|---------------|
| MATERIAL          | 92A URETHANE  |
| TEMPERATURE RANGE | -22 - +176° F |
| PRESSURE RANGE    | 0 TO 230 PSI  |
| SPEED             | 1.5 FT/SEC    |

| Part Number | A<br>Nom.<br>ID | B<br>Nom.<br>OD | C<br>Nom.<br>Ht | C <sub>1</sub><br>OVERALL<br>HEIGHT | D<br>GROOVE<br>WIDTH | E<br>ROD<br>DIAMETER  | F<br>THROAT<br>DIAMETER | F <sub>1</sub>       | G<br>HOUSING<br>DIAMETER | D <sub>2</sub><br>OUTER<br>THROAT<br>DEPTH | E <sub>1</sub><br>STUB<br>DIAMETER | th<br>THICKNESS | List<br>Price |
|-------------|-----------------|-----------------|-----------------|-------------------------------------|----------------------|-----------------------|-------------------------|----------------------|--------------------------|--|------------------------------------|-----------------|---------------|
| MCK53-012   | 12              | 18              | 4.1             | 5.00                                | 4.80 ±0.10           | 12.00 +0.00<br>-0.07  | 13.00 +0.11<br>+0.00    | 15.50 +0.11<br>+0.00 | 18.00 +0.11<br>+0.00     | 6.80 ±0.20                                 | 8.00 -0.013<br>-0.035              | 4.10            | \$3.10        |
| MCK53-012/1 | 12              | 20              | 6.2             | 7.80                                | 7.00 ±0.10           | 12.00 +0.00<br>-0.07  | 13.00 +0.11<br>+0.00    | 17.00 +0.11<br>+0.00 | 20.00 +0.13<br>+0.00     | 9.00 ±0.20                                 | 8.00 -0.013<br>-0.035              | 6.20            | 3.10          |
| MCK53-014   | 14              | 22              | 6.2             | 7.80                                | 7.00 ±0.10           | 14.00 +0.00<br>-0.07  | 15.00 +0.11<br>+0.00    | 19.00 +0.13<br>+0.00 | 22.00 +0.13<br>+0.00     | 9.00 ±0.20                                 | 10.00 -0.013<br>-0.035             | 6.20            | 3.10          |
| MCK53-016/1 | 16              | 22              | 4.7             | 5.50                                | 5.20 ±0.10           | 16.00 +0.00<br>-0.07  | 17.00 +0.11<br>+0.00    | 19.50 +0.13<br>+0.00 | 22.00 +0.13<br>+0.00     | 7.20 ±0.20                                 | 12.00 -0.016<br>-0.043             | 4.70            | 3.27          |
| MCK53-016   | 16              | 24              | 6.2             | 7.80                                | 7.00 ±0.10           | 16.00 +0.00<br>-0.07  | 17.00 +0.11<br>+0.00    | 21.00 +0.13<br>+0.00 | 24.00 +0.13<br>+0.00     | 9.00 ±0.20                                 | 12.00 -0.016<br>-0.043             | 6.20            | 3.27          |
| MCK53-020   | 20              | 28              | 6.2             | 7.80                                | 7.00 ±0.10           | 20.00 +0.00<br>-0.084 | 21.00 +0.13<br>+0.00    | 24.00 +0.13<br>+0.00 | 28.00 +0.13<br>+0.00     | 9.00 ±0.20                                 | 16.00 -0.016<br>-0.043             | 6.20            | 3.43          |
| MCK53-024   | 24              | 32              | 6.2             | 7.80                                | 7.00 ±0.10           | 24.00 +0.00<br>-0.084 | 25.00 +0.13<br>+0.00    | 28.00 +0.13<br>+0.00 | 32.00 +0.16<br>+0.00     | 9.00 ±0.20                                 | 20.00 -0.020<br>-0.053             | 6.20            | 3.75          |
| MCK53-025/1 | 25              | 35              | 6.2             | 7.80                                | 7.00 ±0.10           | 25.00 +0.00<br>-0.084 | 26.00 +0.13<br>+0.00    | 30.00 +0.13<br>+0.00 | 35.00 +0.16<br>+0.00     | 9.00 ±0.20                                 | 21.00 -0.020<br>-0.053             | 6.20            | 3.93          |
| MCK53-025   | 25              | 33              | 6.3             | 7.80                                | 7.00 ±0.10           | 25.00 +0.00<br>-0.084 | 26.00 +0.13<br>+0.00    | 29.00 +0.13<br>+0.00 | 33.00 +0.16<br>+0.00     | 9.00 ±0.20                                 | 21.00 -0.020<br>-0.053             | 6.30            | 3.20          |
| MCK53-025-N | 25              | 33              | 6.3             | 7.80                                | 7.00 ±0.10           | 25.00 +0.00<br>-0.084 | 26.00 +0.13<br>+0.00    | 29.00 +0.13<br>+0.00 | 33.00 +0.16<br>+0.00     | 9.00 ±0.20                                 | 21.00 -0.020<br>-0.053             | 6.30            | 2.67          |
| MCK53-030   | 30              | 40              | 6.2             | 7.80                                | 7.00 ±0.10           | 30.00 +0.00<br>-0.084 | 31.50 +0.16<br>+0.00    | 35.00 +0.16<br>+0.00 | 40.00 +0.16<br>+0.00     | 9.00 ±0.20                                 | 26.00 -0.020<br>-0.053             | 6.20            | 3.85          |
| MCK53-036   | 36              | 46              | 6.2             | 7.80                                | 7.00 ±0.10           | 36.00 +0.00<br>-0.10  | 37.50 +0.16<br>+0.00    | 41.00 +0.16<br>+0.00 | 46.00 +0.16<br>+0.00     | 9.00 ±0.20                                 | 32.00 -0.025<br>-0.064             | 6.20            | 5.06          |
| MCK53-040   | 40              | 50              | 6.2             | 7.80                                | 7.00 ±0.10           | 40.00 +0.00<br>-0.10  | 41.50 +0.16<br>+0.00    | 45.00 +0.16<br>+0.00 | 50.00 +0.16<br>+0.00     | 9.00 ±0.20                                 | 32.00 -0.025<br>-0.064             | 6.20            | 5.25          |
| MCK53-050/1 | 50              | 60              | 6.2             | 7.80                                | 7.00 ±0.10           | 50.00 +0.00<br>-0.10  | 51.50 +0.19<br>+0.00    | 55.00 +0.19<br>+0.00 | 60.00 +0.19<br>+0.00     | 9.00 ±0.20                                 | 46.00 -0.025<br>-0.064             | 6.20            | 5.55          |
| MCK53-050   | 50              | 67              | 11              | 11.00                               | 12.50 ±0.10          | 50.00 +0.00<br>-0.10  | 53.00 +0.19<br>+0.00    | 58.00 +0.19<br>+0.00 | 67.00 +0.19<br>+0.00     | 14.50 ±0.20                                | 46.00 -0.025<br>-0.064             | 11.00           | 6.54          |
| MCK53-057   | 57              | 74              | 10              | 11.00                               | 12.50 ±0.10          | 57.00 +0.00<br>-0.12  | 60.00 +0.19<br>+0.00    | 65.00 +0.19<br>+0.00 | 74.00 +0.19<br>+0.00     | 14.50 ±0.20                                | 53.00 -0.030<br>-0.076             | 10.00           | 6.94          |
| MCK53-070   | 70              | 87              | 10              | 11.00                               | 12.50 ±0.10          | 70.00 +0.00<br>-0.12  | 73.00 +0.19<br>+0.00    | 78.00 +0.19<br>+0.00 | 87.00 +0.22<br>+0.00     | 14.50 ±0.20                                | 66.00 -0.030<br>-0.076             | 10.00           | 7.68          |