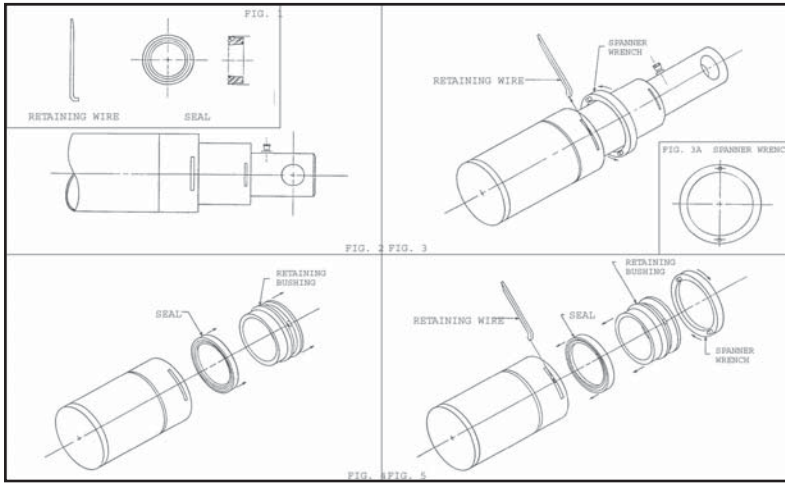


# MARION TELESCOPIC CYLINDERS



## INSTRUCTIONS:

Remove cylinder and lie flat with sides parallel to ground. Drain oil from cylinder leaving stages slightly extended as shown in FIG. 2, exposing retaining wire slots. Using spanner wrench (FIG. 3A) or equivalent, remove retaining wire by turning retaining bushing counter-clockwise (FIG.3). After retaining wire is out, remove retaining bushing and seal, FIG. 4. Replace with seal provided in kit, FIG. 1. Retaining bushing (FIG. 5) and secure with retaining wire (FIG.1). Repeat steps for all other stages and other tubes.

Part Number	Stage Size	I.D.	O.D.	Height	List Price
<b>STAGE BEARINGS</b>					
MARION-35120	1-7/8	1-7/8	2-1/4	1	\$ 13.83
MARION-35130	2-3/4	2-3/4	3-1/4	1	17.93
MARION-35140	3-3/4	3-3/4	4-1/4	1	20.13
MARION-35150	4-3/4	4-3/4	5-1/4	1	20.59
MARION-35160	5-3/4	5-3/4	6-1/4	1	21.75
<b>WIPERS</b>					
MARION-35731	2-3/4	2-3/4	3.114	0.12	\$ 2.52
MARION-35741	3-3/4	3-3/4	3.996	0.11	7.47
MARION-35751	4-3/4	4-3/4	4.996	0.11	7.76
MARION-35761	5-3/4	5-3/4	5.996	0.11	12.45
MARION-35771	6-3/4	6-3/4	6.996	0.11	8.00
<b>PISTON BEARINGS</b>					
MARION-35420	2	1-7/8	2-1/4	1/2	\$ 4.16
MARION-35430	3	2-3/4	3-1/4	1/2	4.39
MARION-35440	4	3-3/4	4-1/4	1/2	4.62
MARION-35450	5	4-3/4	5-1/4	1/2	4.72
MARION-35460	6	5-3/4	6-1/4	1/2	6.19

Part Number	Stage Size	Length	Square C/S	List Price
<b>RETAINING WIRE</b>				
MARION-35240	2-3/4	10-1/4	1/8	\$ 12.24
MARION-35250	3-3/4	13-3/8	1/8	11.54
MARION-35260	4-3/4	16-3/8	1/8	11.75
MARION-35270	5-3/4	19-1/4	1/8	13.50

<b>COMPLETE REPAIR KITS</b>			
Part Number	Series	Stage Sizes	List Price
Kits contain rod seals and retaining wire for each stage			
MARION-35704	32 series	1-7/8, 2-3/4	\$ 42.07
MARION-35705	42 series	2-3/4, 3-3/4	52.56
MARION-35706	43 series	1-7/8, 2-3/4, 3-3/4	69.90
MARION-35707	53 series	2-3/4, 3-3/4, 4-3/4	88.18
Kits contain rod seals, wipers and retaining wire for each stage			
MARION-35708	63 series	3-3/4, 4-3/4, 5-3/4	\$ 131.34
MARION-35709	64 series	2-3/4, 3-3/4, 4-3/4, 5-3/4	154.48
MARION-35715	62 series	4-3/4, 5-3/4	99.49
MARION-35716	52 series	3-3/4, 4-3/4	78.66

# MARK HI-LIFT

MARK HI-LIFT

Kit Number	Code (Pg. xviii)	Rod X Bore Size	List Price
ML-16963		Valve Kit	\$ 8.33
ML-20042	I-U-3	7/8 X 1-1/2	12.81
ML-20127	I-U-5	2-1/2 X 3-1/2	48.22
ML-20128	I-U-5	1-1/4 X 3-1/2	48.86
ML-244-A	I-OB-2	1 X 2	18.82
ML-3009A	I-OB-3	1-1/2 X 3-1/2	9.91
ML-3011-A	I-OB-3	1-1/2 X 3-1/2	10.31
ML-3012-1	I-OB-3	1-1/4 X 2	6.92
ML-3062-1	I-OB-3	3/4 X 1-1/2	10.62
ML-3065-A	I-N-3	1-1/2 X 4	8.18
ML-66017	I-U-5	2 X 4	75.18
ML-66041	I-U-10	1-1/2 X 3-1/2	26.75
ML-66043	I-U-5	3-1/2 X 6	73.02
ML-66044	I-U-5	1-3/8 X 2-1/2	34.06
ML-66045	I-U-5	2 X 3-1/2	45.74
ML-66165	I-U-5	2 X 5	80.45
ML-66226	I-U-10	1-1/2 X 3	22.20
ML-66227	I-U-10, 12	2-1/2 X 3-1/2	47.40
ML-66363	I-U-10, 12	2-3/4 X 3-3/4	63.43

Kit Number	Code (Pg. xviii)	Rod X Bore Size	List Price
ML-66502	I-U-10	2-1/2 X 5	\$ 81.55
ML-66548	I-U-3	1 X 2	18.48
ML-66563	I-U-3	1-1/4 X 3-1/2	29.43
ML-66651	I-U-3	1-3/8 X 2-1/2	14.16
ML-66657	I-U-1	4-1/2" ROD	36.77
ML-66721	I-U-10	3-1/2 X 6	103.18
ML-66806	Valve Kit		41.14
ML-66818	2 Stage	3-1/2, 4-1/2	53.69
ML-66895	I-U-10	2 X 4-1/2	85.83
ML-66971	Motor Kit		101.31
ML-67040	I-U-10	2 X 3-1/2	50.10
ML-67051	I-U-10	1-1/2 X 2-1/2	42.35
ML-67150	Valve Kit		22.41
ML-67214	Special		76.11
ML-67842	I-U-10	1-1/2 X 2-1/2	23.77
ML-67843	I-U-13	1 X 2	18.03
ML-67845	I-U-1	3-1/2 X 4	34.70
ML-68518	P-O-1	7/16 SHAFT KIT	6.79
ML-68948	I-U-11	3/4 X 2	22.50

Replacement Kits For

# MASSEY FERGUSON

## Backhoe Loaders

APPLICATION	CYL #	CODE	ROD	BORE	KIT #	List \$
<b>MODEL 50H</b>						
ARM	1605081M94	P-U-10	2	4-1/4	MF-1607730M91	201.26
BOOM	1605245M91	P-U-8	2	4-1/4	MF-1607427M91	217.21
BUCKET TILT	1605045M93	P-U-10	40 mm	2-1/2	MF-1606502M94	73.43
STABILIZER	1605174M92	P-U-10	2	3-1/2	MF-1607915M92	202.38
SWING	1605262M91	P-U-14	40 mm	75 mm	MF-3402545M91	121.34

## Tractors

APPLICATION	CYL #	CODE	ROD	BORE	KIT #	List \$
<b>MODEL 250</b>						
LIFT		P-U-10	45 mm	75 mm	MF-1606583M93	139.25
		P-U-10	45 mm	65 mm	MF-3443575M93	171.30

## REPLACEMENT KITS FOR MASSEY FERGUSON EQUIPMENT

Kit Number	Code (Pg. xviii)	Rod X Bore Size	List Price
MF-1606487M93	I-U-10	2-1/4 x 3	\$ 36.03
MF-1606502M94	P-U-10	40 mm X 2-1/2"	73.43
MF-1606583M93	P-U-10	45 X 75 mm	139.25
MF-1606681M92	O-RING KIT		9.57
MF-1607427M91	P-U-8	2 X 4-1/4	217.21
MF-1607730M91	P-U-10	2 X 4-1/4	201.26
MF-1607915M92	P-U-10	2 X 3-1/2	202.38
MF-1609031M93	I-U-10	1-3/4 X 2-1/4	48.29
MF-3402545M91	P-U-14	40 X 75 mm	121.34

Kit Number	Code (Pg. xviii)	Rod X Bore Size	List Price
MF-3443575M93	P-U-10	40 X 65 mm	\$ 171.30
MF-3484947M93	P-U-10	35 X 65 mm	129.64
MF-3484955M92	P-U-10	50 X 70 mm	175.51
MF-3485221M93	P-U-10	40 X 75 mm	148.66
MF-3485304M92	P-U-10	35 X 70 mm	141.26
MF-3485427M92	P-U-10	45 X 80 mm	189.31
MF-704643M91	P-OB-3	1-1/4 X 2-1/2	27.70
MF-836994M91	P-U-10	2 X 4	92.42

## REPLACEMENT PARTS FOR MASSEY FERGUSON EQUIPMENT

**NOTE:** Massey Ferguson part numbers are used as a reference only. We do not imply that these kits are original REPLACEMENT PARTS.

### O-RINGS

Part Number	Min Pkg Qty	List Price
MF-1000546M1	50	\$ 0.18
MF-100054M1	50	0.10
MF-10006336M1	20	0.21
MF-10013774M1	20	0.22
MF-1001464M1	20	0.63
MF-1001484M1	50	0.19
MF-1001489M1	50	0.18
MF-1001833M1	50	0.06
MF-1004637M1	20	0.25
MF-1004648M1	50	0.03
MF-1004663M1	20	0.63
MF-100543M1	20	0.51
MF-100557M1	50	0.07
MF-1006240M1	50	0.03

### O-RINGS

Part Number	Min Pkg Qty	List Price
MF-1006335M1	50	\$ 0.19
MF-1504788M1	20	0.31
MF-1506223M1	20	0.45
MF-195522M1	10	0.82
MF-195561M1	50	0.06
MF-195562M1	50	0.07
MF-195565M1	20	0.48
MF-195630M1	20	0.41
MF-195631M1	50	0.12
MF-195791M1	50	0.12
MF-196027M1	50	0.12
MF-196030M1	50	0.10
MF-25071761M1	50	0.03
MF-359001M1	50	0.09

### O-RINGS

Part Number	Min Pkg Qty	List Price
MF-359002M1	50	\$ 0.09
MF-359230X1	20	0.57
MF-359231X1	20	0.69
MF-359287X1	50	0.03
MF-831196M1	50	0.19
MF-831533M1	50	0.06
MF-831535M1	50	0.07
MF-831617M1	50	0.10
MF-835126M1	20	0.54
MF-835130M1	20	0.41
MF-851145M1	50	0.16
MF-851147M1	20	0.31
MF-851258M1	50	0.09
MF-852140M1	20	0.45

Replacement Kits For

# McNEILUS®

McNEILUS®

<b>Refuse - Front Loaders</b>							
APPLICATION	CYL #	SERIAL #	CODE	ROD	BORE	KIT #	List \$
<b>MODEL 4020, 4320</b>							
ARM	0619891	B5788	I-U-10/12	2-1/2	4-1/2	MTM-614472	68.05
	614366, D4496		I-U-10/12	2-1/2	4-1/2	MTM-614398	68.05
BODY LIFT	1000078, C4542		I-U-13	2-1/2	2-7/8	MTM-619976	35.26
FORK	0614333, DC33CC		I-U-10	2	3-1/2	MTM-614467	36.73
TAILGATE	0649881, C5219		I-U-1	2		MTM-619885	14.96
TOP DOOR	0614371, B4388		I-U-10	1-1/2	2	MTM-614384	20.17
<b>MODEL 4022</b>							
PACKER	D4210		I-U-10	4	6	MTM-614126	93.59
<b>MODEL 4029, 4329</b>							
ARM	0619891	B5788	I-U-10/12	2-1/2	4-1/2	MTM-614472	68.05
	0619891	B5788	I-U-10/12	2-1/2	4-1/2	MTM-614398	68.05
FORK	0614333, DC35CC-16-26		I-U-10	2	3-1/2	MTM-614467	36.73
TAILGATE	0619882, C5220		I-U-1	2		MTM-619978	15.66
TOP DOOR	0660778, B6151		I-U-10	1-1/2	2	MTM-123045	20.17
<b>Refuse - Rear Loaders</b>							
APPLICATION	CYL #	SERIAL #	CODE	ROD	BORE	KIT #	List \$
<b>MODEL HD</b>							
SLIDE	604146, D4265		I-U-10/12	4	5	MTM-604986	91.68
<b>MODEL Metro-Pak</b>							
SLIDE	0606960, C3850		I-U-10/12	2	4-1/2	MTM-606961	57.91
TAILGATE	0606953, B5347		I-U-10/12	2	4-1/2	MTM-606961	57.91
<b>MODEL Tag Axle</b>							
SLIDE	604976, D4541		I-U-10/12	4	5	MTM-379-6804-541	101.16
TAILGATE	0604136, D4190		I-U-1	3	3-1/2	MTM-602685	58.27
<b>MODEL XC High Comp</b>							
CONTAINER REEVING	0605700, B5473		I-U-10	3-1/2	5	MTM-605752	56.32
	0605702, B5806		I-U-10/12	1-3/4	3	MTM-375-1805-567	28.38
SLIDE	604135, D4171		I-U-10	4-1/2	5-1/2	MTM-602650	104.70
TAILGATE	0604136, D4190		I-U-1	3	3-1/2	MTM-602685	58.27
<b>Refuse - Side Loaders</b>							
APPLICATION	CYL #	SERIAL #	CODE	ROD	BORE	KIT #	List \$
<b>MODEL Auto Reach</b>							
ARM EXTEND	1132630, D20DD-3-67		I-U-10	1-1/4	2	MTM-1143852	26.64
ARM LIFT	643701, B5495		I-U-10	2	3-1/2	MTM-123016	62.40
ARM SWIVEL			I-U-10	1-1/4	2	MTM-379-6806-387	16.32
GRABBER	1132629, D20DD-4-6.25		P-U-10/12	1	2	MTM-644187	43.03
	643706, B5429		P-U-10/12	1	2	MTM-644187	43.03
PACKER			I-U-10/12	3	4-1/2	MTM-379-6806-231	87.28
PRE CRUSH	615860, C4539		I-U-10/12	2	3	MTM-630804	43.05
TAILGATE	D25LL-8-38		I-U-10	1-1/2	2-1/2	MTM-123060	22.34
<b>MODEL Manual</b>							
PACKER	630861, D4596		I-U-10/12	4	5	MTM-630862	102.60
	635876, B5489		I-U10/12	4	5	MTM-635878	112.01
	663500, B6314		I-U10/12	4	5	MTM-635878	112.01
PRE CRUSH	615860		I-U-10/12	2	3	MTM-630804	43.05
TAILGATE	0619882, C5220		I-U-1	2		MTM-619978	15.66

# MCNEILUS® REFUSE TRUCKS

Kit Number	Code (Pg. xviii)	Rod X Bore Size	List Price
MTM-0601488	I-U-1	2-1/2 Rod Kit	\$ 31.54
MTM-0604136	I-U-1	3 X 3/12	58.27
MTM-0604146	I-U-10/12	4 X 5	91.68
MTM-0605700	I-U-10	3-1/2 X 5	56.32
MTM-0605702	I-U-10/12	1-3/4 X 3	28.38
MTM-0606953	I-U-1	2-1/2 X 3	18.98
MTM-0606960	I-U-10/12	2 X 4-1/2	57.91
MTM-0614333	I-U-10	2 X 3-1/2	36.73
MTM-0614371	I-U-10	1-1/2 X 2	20.17
MTM-0615860	I-U-10	2 X 3	43.05
MTM-0619881	I-U-1	2 Rod Kit	14.96
MTM-0619882	I-U-1	2 Rod Kit	15.66
MTM-0630861	I-U-10/12	4 X 5	102.60
MTM-0635878	I-U-10,12	4 X 5	112.01
MTM-0637010	I-U-10	1-1/2 X 2-1/2	22.34
MTM-0643701	I-U-10	2 X 3-1/2	62.40
MTM-0660778	I-U-10	1-1/2 X 2	20.17
MTM-1000078	I-U-1	2-1/2 X 2-7/8	35.26
MTM-1100031	I-U-10/12	3 X 4-1/2	87.28
MTM-1100106	I-U-10	1-1/4 X 2	16.32
MTM-1132629	P-U-10/12	1 X 2	43.03
MTM-1132630	I-U-10	1-1/4 X 2	26.64
MTM-1143852	I-U-10	1-1/4 X 2	26.64
MTM-123016	I-U-10	2 X 3-1/2	62.40
MTM-123045	I-U-10	1-1/2 X 2	20.17

Kit Number	Code (Pg. xviii)	Rod X Bore Size	List Price
MTM-123060	I-U-10	1-1/2 X 2-1/2	\$ 22.34
MTM-375-1805-567	I-U-10/12	1-3/4 X 3	28.38
MTM-379-6804-541	I-U-10/12	4 X 5	101.16
MTM-379-6806-231	I-U-10/12	3 X 4-1/2	87.28
MTM-379-6806-387	I-U-10	1-1/4 X 2	16.32
MTM-601488	I-U-1		31.54
MTM-602650	I-U-10	4-1/2 X 5-1/2	104.70
MTM-602685	I-U-1	3 X 3-1/2	58.27
MTM-604126	I-U-10	4 X 6	93.59
MTM-604986	I-U-10/12	4 X 5	91.68
MTM-605752	I-U-10	3-1/2 X 5	56.32
MTM-606961	I-U-10/12	2 X 4-1/2	57.91
MTM-614126	I-U-10	4 X 6	93.59
MTM-614384	I-U-10	1-1/2 X 2	20.17
MTM-614398	I-U-10/12	2-1/2 X 4-1/2	68.05
MTM-614467	I-U-10	2 X 3-1/2	36.73
MTM-614472	I-U-10/12	2-1/2 X 4-1/2	68.05
MTM-619885	I-U-1	2 Rod Kit	14.96
MTM-619976	I-U-13	2-1/2 X 2-7/8	35.26
MTM-619978	I-U-1	2 Rod Kit	15.66
MTM-630804	I-U-10/12	2 X 3	43.05
MTM-630862	I-U-10/12	4 X 5	102.60
MTM-635878	I-U10/12	4 X 5	112.01
MTM-644187	P-U-10/12	1 X 2	43.03
MTM-9570643701	I-U-10	2 X 3-1/2	62.40

MCNEILUS®

# MEYER® PRODUCTS

Kit Number	Code (Pg. xviii)	Rod X Bore Size	List Price
MY-15254	P-O-6	1-1/8 X 1-3/4	\$ 15.74
MY-15456	P-OB-6	1-1/8 X 1-3/4	21.93

Kit Number	Code (Pg. xviii)	Rod X Bore Size	List Price
MY-15707	P-U-6	1-1/8 X 1-3/4	\$ 40.53
MY-7705	I-V-1	1-1/2" ROD	15.74

## REPLACEMENT PARTS FOR MEYER® EQUIPMENT

**NOTE:** Meyer part numbers are used as a reference only. We do not imply that these kits are original REPLACEMENT PARTS.

### O-RINGS

Part Number	Min Pkg Qty	List Price
MY-15122	50	\$ 0.06
MY-15123	50	0.06
MY-15125	50	0.06
MY-15126	50	0.07
MY-15131	20	0.63
MY-15163	20	0.59
MY-15198	2	5.32
MY-15687	10	1.14
MY-15693	20	0.40
MY-15701	50	0.21

### PISTON CUPS

Part Number	Bore Dia.	List Price
MY-15691	1-3/4	\$ 10.07

### WIPERS

Part Number	Rod Dia.	List Price
MY-05119	1-1/8	\$ 2.84

Replacement Kits For

# MITSUBISHI

<b>Excavators</b>						
<b>APPLICATION</b>	<b>CYL #</b>	<b>CODE</b>	<b>ROD</b>	<b>BORE</b>	<b>KIT #</b>	<b>List \$</b>
<b>MODEL MS-110-5, MS-110L-5, MS-110D-5, MS-110S-5</b>						
ARM	C25320004	P-UB-15	80 mm	120 mm	MIT-C75300020	257.42
	C25320005	P-UB-15	80 mm	120 mm	MIT-C75300020	257.42
BOOM	C25300104	P-UB-15	70 mm	110 mm	MIT-C75300010	237.77
BUCKET	C25340004	P-UB-15	65 mm	110 mm	MIT-C75300030	234.98
	C25340005	P-UB-15	65 mm	110 mm	MIT-C75300030	234.98
<b>MODEL MS-120-2, MS-120S-2, MS-120SS-2</b>						
ARM	C65320002	P-UB-14	80 mm	120 mm	MIT-C65300022	301.63
	C65320003	P-UB-14	80 mm	120 mm	MIT-C65300022	301.63
	C65320004	P-UB-14	80 mm	120 mm	MIT-C65300022	301.63
BOOM	C65300102	P-UB-14	75 mm	110 mm	MIT-C65300012	330.72
	C65300103	P-UB-14	75 mm	110 mm	MIT-C65300012	330.72
	C65300104	P-UB-14	75 mm	110 mm	MIT-C65300012	330.72
BUCKET	C65340003	P-UB-14	70 mm	110 mm	MIT-C65300032	316.27
	C65340004	P-UB-14	70 mm	110 mm	MIT-C65300032	316.27
	C65340005	P-UB-14	70 mm	110 mm	MIT-C65300032	316.27
<b>MODEL MS-180-3, MS-180S-3, MS-180LC-3</b>						
ARM	E35300201	P-UB-5	90 mm	130 mm	MIT-E15300023	293.38
BOOM	E35300101	P-UB-5	85 mm	125 mm	MIT-E15300013	279.53
BUCKET	E35300301	P-UB-5	75 mm	120 mm	MIT-E15300033	247.69
<b>MODEL MS-180-8</b>						
ARM	E75300301	P-UB-10	100 mm	140 mm	MIT-E75300010	371.26
BOOM	E75300101	P-UB-10	85 mm	125 mm	MIT-E35300040	311.05
	E75300201	P-UB-10	85 mm	125 mm	MIT-E35300040	311.05
BUCKET	E75300401	P-UB-10	85 mm	125 mm	MIT-E35300040	311.05

MITSUBISHI

## REPLACEMENT KITS FOR MITSUBISHI EQUIPMENT

<b>Kit Number</b>	<b>Code (Pg. xviii)</b>	<b>Rod X Bore Size</b>	<b>List Price</b>
MIT-9185415310	I-U-10	25 X 55 mm	\$ 35.80
MIT-94504-02080	N-N-15	100 mm	21.20
MIT-C65300012	P-UB-14	75 X 110 mm	330.72
MIT-C65300022	P-UB-14	80 X 120 mm	301.63
MIT-C65300032	P-UB-14	70 X 110 mm	316.27
MIT-C75300010	P-UB-15	70 X 110 mm	237.77
MIT-C75300020	P-UB-15	80 X 120 mm	257.42
MIT-C75300030	P-UB-15	65 X 110 mm	234.98

<b>Kit Number</b>	<b>Code (Pg. xviii)</b>	<b>Rod X Bore Size</b>	<b>List Price</b>
MIT-E15300013	P-UB-5	85 X 125 mm	\$ 279.53
MIT-E15300023	P-UB-5	90 X 130 mm	293.38
MIT-E15300033	P-UB-5	75 X 120 mm	247.69
MIT-E25300061	P-UB-14	90 X 140 mm	408.78
MIT-E35300040	P-UB-10	85 X 125 mm	311.05
MIT-E75300010	P-UB-10	100 X 140 mm	371.26
MIT-F15300011	P-UB-14	100 X 150 mm	280.67

# REPLACEMENT PARTS FOR MITSUBISHI EQUIPMENT

**NOTE:** Mitsubishi part numbers are used as a reference only. We do not imply that these kits are original REPLACEMENT PARTS.

## WIPERS

Part Number	Rod Dia.	List Price
MIT-91854-06400	25 mm	\$ 3.02
MIT-05566-13030	30 mm	15.46
MIT-05566-13530	35 mm	16.31
MIT-64374-79200	40 mm	20.83
MIT-A04500811	45 mm	22.92
MIT-A04500812	50 mm	23.22
MIT-A04501417	65 mm	29.98
MIT-A04500914	65 mm	31.76
MIT-A04500815	70 mm	34.09
MIT-A04500822	70 mm	34.09
MIT-A04501418	70 mm	32.17
MIT-A04500915	70 mm	34.09
MIT-C45300148	75 mm	34.59
MIT-E35300325	75 mm	34.59
MIT-A04500918	75 mm	36.64
MIT-1853252	80 mm	9.69
MIT-A04500817	80 mm	43.22
MIT-A04501420	80 mm	40.79
MIT-A04500917	80 mm	43.22
MIT-E15300392	85 mm	46.30
MIT-E35300127	85 mm	46.30
MIT-E353-00127	85 mm	46.30
MIT-1853094	90 mm	50.05
MIT-A04501422	90 mm	50.05
MIT-F25340118	90 mm	50.05
MIT-E85300320	95 mm	51.19
MIT-1853143	100 mm	52.55
MIT-A04501423	100 mm	52.55
MIT-F15302319	100 mm	20.04
MIT-F25340058	100 mm	52.55
MIT-A04903618	110 mm	53.84

## ROD U-SEALS

Part Number	Rod Dia.	List Price
MIT-A04600911	45 mm	\$ 11.58
MIT-A04600912	50 mm	16.19
MIT-A04600914	65 mm	18.94
MIT-A04600915	70 mm	18.62
MIT-A04700415	70 mm	9.24
MIT-7953042	75 mm	24.47
MIT-A04600918	75 mm	22.66
MIT-C45300134	75 mm	9.24

## ROD U-SEALS

Part Number	Rod Dia.	List Price
MIT-E35302115	75 mm	\$ 22.26
MIT-E35302116	75 mm	9.24
MIT-1853083	80 mm	26.92
MIT-A04600917	80 mm	24.79
MIT-A04700417	80 mm	11.15
MIT-48-7953142	85 mm	27.86
MIT-7953142	85 mm	27.86
MIT-E15301215	85 mm	11.15
MIT-E35301915	85 mm	26.92
MIT-E35301916	85 mm	11.15
MIT-1853057	90 mm	19.33
MIT-1853239	90 mm	19.33
MIT-A04600925	90 mm	28.65
MIT-A04700423	90 mm	11.15
MIT-E15301116	90 mm	11.15
MIT-E85300317	95 mm	30.24
MIT-E85300318	95 mm	11.15
MIT-1853136	100 mm	32.78
MIT-A04600926	100 mm	22.92
MIT-A04700424	100 mm	12.98
MIT-94319-02400	112 mm	34.49

## PISTON U-SEALS

Part Number	Bore Dia.	List Price
MIT-05565-07010	70 mm	\$ 23.12
MIT-A04601211	70 mm	93.19
MIT-05565-08010	80 mm	26.19
MIT-A04601213	90 mm	108.73
MIT-A04601215	110 mm	139.76
MIT-A04601311	110 mm	68.93
MIT-E85300439	115 mm	54.65
MIT-A04601216	120 mm	139.76
MIT-A04601312	120 mm	71.83
MIT-C45300229	120 mm	49.47
MIT-E85300137	120 mm	54.65
MIT-E153-00386	125 mm	53.67
MIT-E35301920	125 mm	54.65
MIT-2153243	130 mm	53.67
MIT-E85300347	130 mm	56.55
MIT-4653414	140 mm	61.88
MIT-A04601314	140 mm	97.73
MIT-E75300322	140 mm	64.57

## PISTON U-SEALS

Part Number	Bore Dia.	List Price
MIT-4653415	140 mm	\$ 61.88
MIT-1853063	150 mm	68.99
MIT-A04601315	150 mm	106.31
MIT-F15301123	150 mm	68.99
MIT-4653514	160 mm	74.37
MIT-A04601719	160 mm	120.75
MIT-F25340028	160 mm	74.37

## PISTON SEALS

Part Number	Bore Dia.	List Price
MIT-91854-16300	55 mm	\$ 27.91

## U-SEALS

Part Number	Rod Dia.	List Price
MIT-91854-06500	25 mm	\$ 2.95

## BUFFER RINGS

Part Number	Rod Dia.	List Price
MIT-05566-03520	35 mm	\$ 4.15
MIT-A04600815	50 mm	9.57
MIT-A04600811	65 mm	11.21
MIT-A04601014	65 mm	30.30
MIT-A04600812	70 mm	12.65
MIT-A04601015	70 mm	33.07
MIT-A04601016	75 mm	35.16
MIT-E15302312	75 mm	36.40
MIT-E85300437	75 mm	31.51
MIT-A04600813	80 mm	14.07
MIT-A04601017	80 mm	37.24
MIT-E15300372	85 mm	38.73
MIT-E85300140	85 mm	35.19
MIT-A04601024	90 mm	42.59
MIT-E85300344	95 mm	38.93
MIT-A04601025	100 mm	44.66
MIT-F15302316	100 mm	44.66
MIT-A04601018	110 mm	56.51



# REPLACEMENT PARTS FOR MITSUBISHI EQUIPMENT

**NOTE:** Mitsubishi part numbers are used as a reference only. We do not imply that these kits are original REPLACEMENT PARTS.

## WEAR RINGS

Part Number	O.D. X Width	List Price
MIT-E85300345	100 X 9.7 mm	\$ 25.62
MIT-A04903612	110 X 6 mm	22.39
MIT-A04901911	110 X 30 mm	26.87
MIT-E85300420	115 X 6 mm	22.39
MIT-E85300440	115 X 7.9 mm	10.52
MIT-A04901912	120 X 6 mm	23.89
MIT-A04903613	120 X 7.9 mm	22.39
MIT-E85300136	120 X 8 mm	11.33
MIT-E85300120	120 X 30 mm	42.56
MIT-E35301921	125 X 8 mm	42.56
MIT-E85300326	130 X 7.9 mm	12.60
MIT-E85300438	130 X 8 mm	42.56
MIT-A04901915	140 X 8 mm	47.15
MIT-A04903616	140 X 8 mm	42.56
MIT-E75300323	140 X 40 mm	42.56
MIT-A04901916	150 X 8 mm	45.81
MIT-A04903617	150 X 40 mm	42.56

## BACK-UP RINGS

Part Number	Min Pkg Qty	List Price
MIT-05568-90800	1	\$ 6.70
MIT-4653425	1	13.20
MIT-4653623	1	11.42
MIT-4753177	1	31.76
MIT-94153-07300	1	13.14
MIT-A04700312	1	9.44
MIT-A04700313	1	10.46
MIT-A04700314	1	5.92
MIT-A04700315	1	7.73
MIT-A04700324	1	13.20
MIT-A04700325	1	10.19
MIT-A04700416	1	9.24
MIT-E15301130	1	10.91
MIT-E15302093	1	11.45
MIT-E25310020	1	13.92

## BACK-UP RINGS

Part Number	Min Pkg Qty	List Price
MIT-E35300217	1	\$ 11.42
MIT-E35300315	1	10.46
MIT-E35301917	1	11.67
MIT-E35302130	1	11.67
MIT-E75300317	1	35.28
MIT-E75300318	1	12.15
MIT-E85300321	1	11.82
MIT-E85300416	1	11.45
MIT-F15300921	1	13.20
MIT-F15301418	1	13.20

## O-RINGS

Part Number	Min Pkg Qty	List Price
MIT-03158-08000	2	\$ 4.62
MIT-2153222	2	7.24
MIT-4753176	2	5.53
MIT-7953122	2	7.24
MIT-91254-06300	20	0.22
MIT-91254-09300	10	1.24
MIT-91254-13700	20	0.79
MIT-91254-15100	10	1.10
MIT-94004-00900	5	2.35
MIT-E35300316	10	0.76
MIT-F3150-04900	7	0.87
MIT-F3150-06000	5	3.27
MIT-F3150-07000	4	4.17
MIT-F3150-09000	2	4.83
MIT-F3153-04000	10	0.65
MIT-F3153-05000	10	3.09
MIT-F3157-05000	10	1.48
MIT-Z440101000	3	5.10
MIT-Z440101100	3	6.63
MIT-Z440200600	5	3.27
MIT-Z440201100	3	6.63
MIT-Z440201150	2	6.74
MIT-Z440201200	2	6.87

## O-RINGS

Part Number	Min Pkg Qty	List Price
MIT-Z440201250	2	\$ 6.98
MIT-Z440201300	2	7.02
MIT-Z440201400	2	7.24
MIT-Z440201500	2	8.76
MIT-Z440201550	1	12.66
MIT-Z441101000	4	1.99
MIT-Z441101100	3	8.63
MIT-Z441101150	3	2.62
MIT-Z441101200	3	2.73
MIT-Z441101250	3	9.35
MIT-Z441101300	3	2.80
MIT-Z441101450	2	3.37
MIT-Z441101600	1	23.93

## O-RINGS 90 DUROMETER

Part Number	Min Pkg Qty	List Price
MIT-Z440200800	3	\$ 4.62
MIT-Z441001150	3	2.64
MIT-Z441101050	3	2.56

## MITSUBISHI LIFT TRUCKS

Kit Number	Code (Pg. xviii)	Rod X Bore Size	List Price
MIT-91254-10330	P-U-10	22 X 45mm	\$ 44.66
MIT-91254-30330	P-U-10	22 X 45mm	39.35
MIT-91255-11120	I-U-10	22.4 X 45 mm	39.73
MIT-91273-30150	Valve Kit		5.65
MIT-91273-30220	Valve Kit		5.51
MIT-91854-15310	I-U-10	25 X 55 mm	35.80
MIT-91854-40230	P-U-10	25 X 55 mm	46.25
MIT-91872-22120	Valve Kit		8.21
MIT-93051-00028	I-U-4	2 in X 75 mm	114.62
MIT-93051-10068	I-U-4	40 X 50 mm	48.55
MIT-94004-00120	P-UB-1	30 mm Rod Kit	36.56
MIT-94004-00130	N-N-15	63 mm Piston Kit	56.49
MIT-94104-00110	N-N-13	70 mm Piston Kit	70.75
MIT-94104-00120	P-UB-1	35 mm Rod Kit for 70 mm Bore	38.37
MIT-94104-00170	I-U-10	30 X 63 mm	51.28
MIT-94114-00110	I-U-4	50 X 70 mm	82.32
MIT-94114-00210	I-U-4	60 X 70 mm	97.13
MIT-94119-00018	I-U-1	70 mm Rod Kit	43.77
MIT-94119-00048	I-U-1	50 mm Rod Kit	20.70
MIT-94119-00068	P-U-1	32 mm Rod Kit	37.85
MIT-94119-00088	P-U-1	32 mm	40.23
MIT-94133-00018	I-N-4	40 X 50 mm	64.99
MIT-94151-00018	P-U-1	70 mm Rod Kit	46.48
MIT-94151-00028	P-U-1	70 mm Rod Kit	50.04
MIT-94162-00018	P-U-4	35 X 45 mm	42.92
MIT-94204-10120	I-U-10	35 X 70 mm	24.12
MIT-94219-00018	P-U-1	35 mm Rod Kit	15.74
MIT-94219-00028	P-U-1	35 mm Rod Kit	25.47
MIT-94251-00018	I-U-1	75 mm Rod Kit	45.61
MIT-94251-00038	P-U-1	75 mm Rod Kit	60.66
MIT-94251-00058	P-U-1	75 mm Rod Kit	47.28
MIT-94262-00028	P-U-4	40 X 50 mm	84.59
MIT-94304-00110	N-N-13	80 mm Piston Kit	78.56
MIT-94304-00120	P-UB-1	35 mm Rod Kit for 80 mm Bore	43.25
MIT-94304-10140	I-U-10	35 X 80 mm	34.75
MIT-94314-00110	I-U-1	65 X 80 mm	73.81
MIT-94319-00018	I-U-1	60 mm Rod Kit	23.93
MIT-94319-00038	I-U-1	85 mm Rod Kit	41.78
MIT-94319-00068	P-U-1	40 mm Rod Kit	16.82
MIT-94319-00088	I-U-1	40 mm Rod Kit	53.62

## MITSUBISHI LIFT TRUCKS

Kit Number	Code (Pg. xviii)	Rod X Bore Size	List Price
MIT-94351-00018	I-U-1	80 mm Rod Kit	\$ 31.86
MIT-94351-00028	P-U-1	45 X 55 mm	98.36
MIT-94351-00038	P-U-1	85 mm Rod Kit	64.06
MIT-94351-00068	P-U-1	85 mm Rod Kit	60.54
MIT-94362-00018	P-U-1	45 X 55 mm	98.36
MIT-94404-00120	P-UB-3	45 X 90 mm	57.33
MIT-94404-10140	I-U-10	40 X 80 mm	88.74
MIT-94404-10160	I-U-10	40 X 90 mm	71.33
MIT-94504-02090	P-U-1	40 X 100 mm	47.55

## MOFFETT

Kit Number	Code (Pg. xviii)	Rod X Bore Size	List Price
MOFT-270021	I-V-15	40 X 75 mm	\$ 56.28
MOFT-270078	I-V-15	1-3/4 X 90 mm	54.87
MOFT-270711	I-U-15	1 X 2	22.41
MOFT-519-023-0000	I-U-15	25 X 50 mm	41.45

## MONARCH ROAD MACHINERY

Kit Number	Code (Pg. xviii)	Rod X Bore Size	List Price
MRM-5117	I-V-1	1-1/2" ROD	\$ 14.84
MRM-5127	I-V-1	2" ROD	19.21
MRM-5137	I-V-1	2-1/2" ROD	22.31
MRM-5147	I-V-1	3" ROD	26.40
MRM-5157	I-V-1	3-1/2" ROD	33.67
MRM-5385	I-V-7	1-1/2 X 3	42.08
MRM-637405	P-OB-3	1-1/4 X 4	18.75

## MORBARK

Kit Number	Code (Pg. xviii)	Rod X Bore Size	List Price
MB25180-210	I-U-5	2 X 4	\$ 51.11
MB26815-053	P-U-10	1-1/4 X 2-1/2	30.87
MB26815-054	I-U-10	1-1/2 X 3	23.84
MB26815-059	I-U-10	2-1/2 X 5	41.17
MB26815-060	I-U-10	2-1/2 X 5-1/2	50.90
MB26815-061-M	I-U-10	2 X 4	42.27
MB26815-071	I-U-10	3 X 6	82.19
MB26815-071-A	I-U-10	3 X 6	75.86