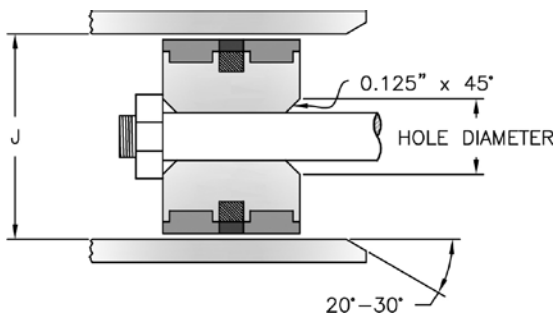
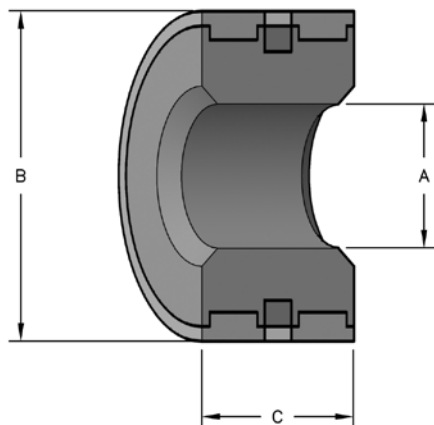




## STYLE PA UNITIZED PISTONS

The PA Unitized Pistons are designed to handle a broad range of application parameters. The piston body is machined to exact dimensions and is constructed using four components: A high strength steel body, a non-metallic bearing, a rubber loading ring and a filled PTFE seal ring. The non-metallic bearing is molded to the piston using a special proprietary process.



### PISTON INFORMATION

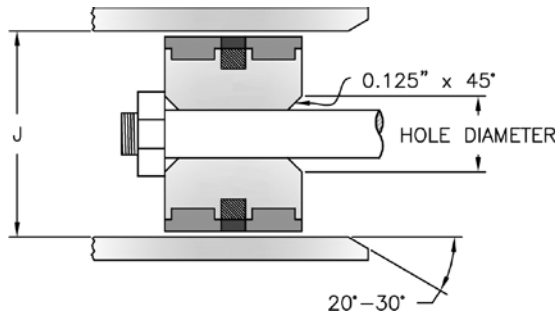
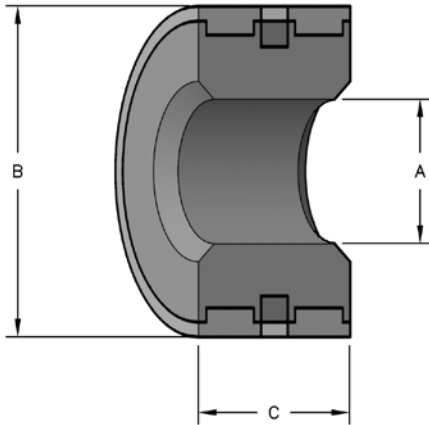
TEMPERATURE RANGE	-40° TO +230° F
MAX PRESSURE	5,000 PSI
SPEED	3 FT/SEC

Part Number	A Nom. ID	B Nom. OD	C Nom. Ht	C WIDTH	J BORE DIAMETER	H HOLE SIZE	List Price
PA-2.00X0.75X1.00	3/4	2	1	1.000 <sup>+0.002</sup> / <sub>+0.000</sub>	2.000 <sup>+0.003</sup> / <sub>+0.000</sub>	.750 <sup>+0.002</sup> / <sub>+0.000</sub>	\$131.46
PA-2.50X1.00X1.00	1	2-1/2	1	1.000 <sup>+0.002</sup> / <sub>+0.000</sub>	2.500 <sup>+0.003</sup> / <sub>+0.000</sub>	1.000 <sup>+0.002</sup> / <sub>+0.000</sub>	156.52
PA-3.50X1.00X1.50	1	3-1/2	1-1/2	1.500 <sup>+0.002</sup> / <sub>+0.000</sub>	3.500 <sup>+0.004</sup> / <sub>+0.000</sub>	1.000 <sup>+0.002</sup> / <sub>+0.000</sub>	200.36
PA-4.00X1.25X1.50	1-1/4	4	1-1/2	1.500 <sup>+0.002</sup> / <sub>+0.000</sub>	4.000 <sup>+0.004</sup> / <sub>+0.000</sub>	1.250 <sup>+0.002</sup> / <sub>+0.000</sub>	212.85

# UNITIZED PISTONS FOR BOBCAT



The Bobcat Unitized Pistons are designed to handle a broad range of application parameters. The piston body is machined to exact dimensions and is constructed using four components: a high strength steel body, a non-metallic bearing, a rubber loading ring, and a filled PTFE seal ring. The non-metallic bearing is molded to the piston using a special proprietary process.



PISTON INFORMATION	
MATERIAL	STEEL, NYLON, NBR, PTFE
TEMPERATURE RANGE	-40° TO +230° F
PRESSURE RANGE	0 TO 5,000 PSI
SPEED	3 FT/SEC

Part Number	A Nom. ID	B Nom. OD	C Nom. Ht	C WIDTH	H HOLE SIZE	List Price
BCK-6665013	3/4	2	1	1.000 <sup>+0.000</sup> / <sub>-0.005</sub>	.750 <sup>+0.005</sup> / <sub>+0.002</sub>	\$85.58
BCK-6661694	3/4	2	1-1/4	1.250 ±0.005	.750 <sup>+0.003</sup> / <sub>+0.001</sub>	101.89
BCK-6665207	1	2-1/4	1	1.000 <sup>+0.005</sup> / <sub>+0.000</sub>	1.000 <sup>+0.003</sup> / <sub>+0.001</sub>	101.89
BCK-6661820	1	2-1/4	1-1/4	1.250 <sup>+0.000</sup> / <sub>-0.005</sub>	1.000 <sup>+0.003</sup> / <sub>+0.001</sub>	101.89
BCK-6667291	1	2-1/2	1	1.000 <sup>+0.005</sup> / <sub>+0.000</sub>	1.000 <sup>+0.003</sup> / <sub>+0.001</sub>	101.89
BCK-6673791	1-1/8	2-1/2	1	1.000 <sup>+0.005</sup> / <sub>+0.000</sub>	1.125 <sup>+0.003</sup> / <sub>+0.001</sub>	101.89
BCK-6666286	1-1/8	2-3/4	1	1.000 <sup>+0.005</sup> / <sub>+0.000</sub>	1.125 <sup>+0.003</sup> / <sub>+0.001</sub>	122.26
BCK-6669993	3/4	3	1	1.000 <sup>+0.000</sup> / <sub>-0.005</sub>	.750 <sup>+0.005</sup> / <sub>+0.002</sub>	127.37