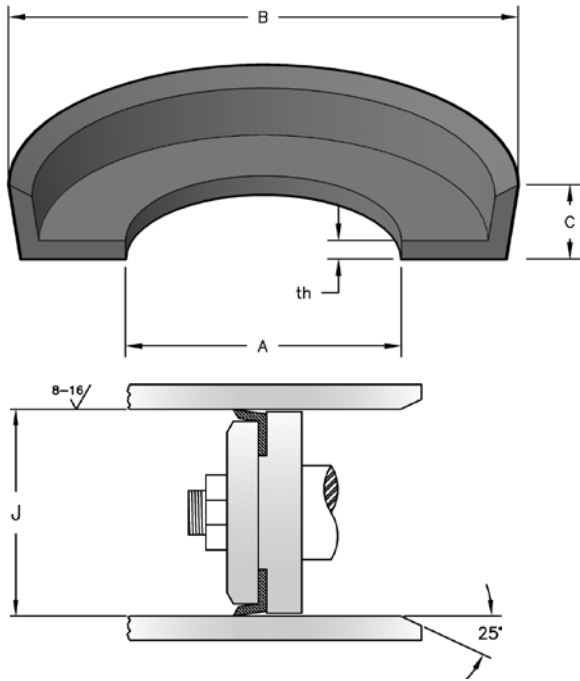


STYLE 6000 RUBBER PISTON CUPS

NOTE: The 6000 piston cups are center punched if there is no hole size indicated.



SEAL INFORMATION

MATERIAL	BUNA-N RUBBER
TEMPERATURE RANGE	-40° TO +220° F
PRESSURE RANGE	0 TO 150 PSI
SPEED	3 FT/SEC
PART NUMBER	(Piston Cup Type)(Bore) - (Hole Size)

Part Number	A Nom. ID	B Nom. OD	C Nom. Ht	J BORE DIAMETER	th THICKNESS	List Price
6062	N/A	5/8	.305	.625	.115	\$7.57
6075	N/A	3/4	5/16	.750	.093	4.37
6100	N/A	1	7/16	1.000	.093	4.64
6100-037	3/8	1	7/16	1.000	.093	4.64
6125	N/A	1-1/4	1/2	1.250	.125	5.34
6137	N/A	1-3/8	1/2	1.375	.125	5.45
6150	N/A	1-1/2	1/2	1.500	.125	5.45
6150-062	5/8	1-1/2	1/2	1.500	.125	5.45
6162	N/A	1-5/8	1/2	1.625	.125	5.29
6175	N/A	1-3/4	1/2	1.750	.125	5.80
6187	N/A	1-7/8	1/2	1.875	.125	10.30
6200	N/A	2	1/2	2.000	.125	6.05
6225	N/A	2-1/4	1/2	2.250	.125	6.51
6237-050	1/2	2-3/8	1/2	2.375	.125	6.72
6237-100	1	2-3/8	1/2	2.375	.125	6.72
6250	N/A	2-1/2	1/2	2.500	.125	6.88
6250-062	5/8	2-1/2	1/2	2.500	.125	7.45
6262	N/A	2-5/8	1/2	2.625	.125	7.06
6275	N/A	2-3/4	1/2	2.750	.125	7.25
6275-068	11/16	2-3/4	1/2	2.750	.125	7.25
6287	N/A	2-7/8	1/2	2.875	.125	7.47
6300	N/A	3	5/8	3.000	.156	7.50
6312	N/A	3-1/8	5/8	3.125	.156	7.39
6325	N/A	3-1/4	5/8	3.250	.156	9.09
6350	N/A	3-1/2	5/8	3.500	.156	15.96
6375	N/A	3-3/4	5/8	3.750	.156	16.50
6400	N/A	4	5/8	4.000	.156	9.71
6400-275-90D	2-3/4	4	5/8	4.000	.156	10.63

STYLE 6000 RUBBER PISTON CUPS



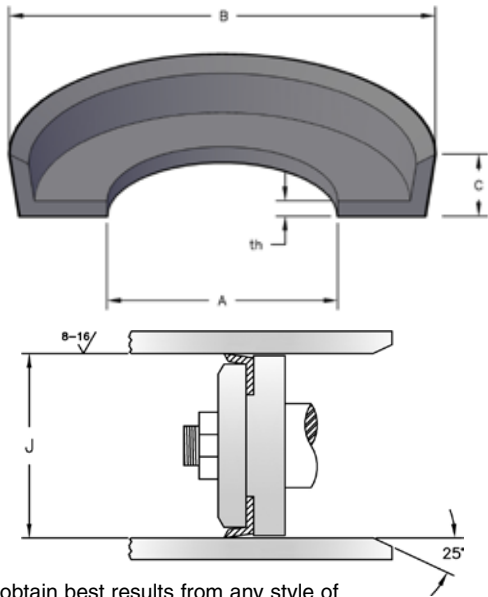
Part Number	A Nom. ID	B Nom. OD	C Nom. Ht	J BORE DIAMETER	th THICKNESS	List Price
6425	N/A	4-1/4	5/8	4.250	.156	10.99
6450	N/A	4-1/2	5/8	4.500	.156	16.85
6475	N/A	4-3/4	5/8	4.750	.156	13.14
6500	N/A	5	3/4	5.000	.187	23.72
6500-075	3/4	5	3/4	5.000	.187	23.79
6550	N/A	5-1/2	3/4	5.500	.187	16.08
6575	N/A	5-3/4	3/4	5.750	.187	14.77
6600	N/A	6	3/4	6.000	.187	17.97
6600-100	1	6	3/4	6.000	.187	17.97
6600-400-90D	4	6	3/4	6.000	.187	19.48
6610	N/A	6	1	6.000	.187	25.35
6625	N/A	6-1/4	3/4	6.250	.187	19.43
6650	N/A	6-1/2	3/4	6.500	.187	20.64
6700	N/A	7	3/4	7.000	.187	25.63
6800-525A-90D	5-1/4	8	3/4	8.000	.187	33.22
6800	N/A	8	1	8.000	.187	34.59
6900	N/A	9	1	9.000	.187	38.91
61000	N/A	10	1	10.000	.187	39.24
61200	N/A	12	1	12.000	.187	69.50
61400	N/A	14	1	14.000	.187	71.32

SPECIAL ORDER STYLE M6000 PISTON CUPS

Part Number	List Price	Part Number	List Price	Part Number	List Price	Part Number	List Price
M6000-12	\$ 10.35	M6000-50	\$ 29.29	M6000-90A	\$ 42.78	M6000-205	\$ 65.28
M6000-38	22.61	M6000-45	30.63	M6000-22	46.18	M6000-95A	70.75
M6000-35	23.95	M6000-70	31.96	M6000-80	49.59	M6000-222.2	76.23
M6000-40	25.29	M6000-76	33.30	M6000-85	52.99	M6000-260	85.84
M6000-85A	26.62	M6000-76A	34.63	M6000-90	56.40	M6000-255	95.46
M6000-60	27.96	M6000-95B	35.97	M6000-95	59.80		

STYLE 8000 URETHANE PISTON CUPS

NOTE: The 8000 piston cups are center punched



SEAL INFORMATION	
MATERIAL	90A URETHANE
TEMPERATURE RANGE	-65° TO +220° F
PRESSURE RANGE	0 TO 1,200 PSI
SPEED	3 FT/SEC
PART NUMBER	(Piston Cup Type)(Bore) - (Hole Size)

To obtain best results from any style of piston cup, it is recommended that the piston properly support the heel of the cup.

Recommended diametral clearance between the piston and cylinder wall are as follows:

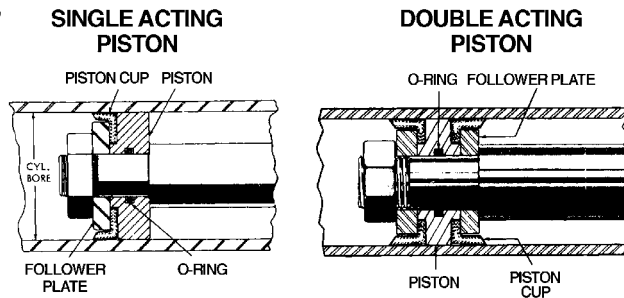
1" to 2-1/4"	.005"
2-1/2" to 4-3/4"	.008"
5" to 10"	.010"

The following piston designs meet standard industry practices:

The height of the machined shoulder most frequently used to control squeeze on the heel of the cup is as follows:

Cups 1/8" thick	.116/.119"
Cups 5/32" thick	.146/.149"
Cups 3/16" thick	.178/.181"

The follower plate should be approximately .110" smaller than the ID of the cup. To reduce any tendency of the cup to extrude under pressure a phonograph finish may be machined on the surface of the follower plate.

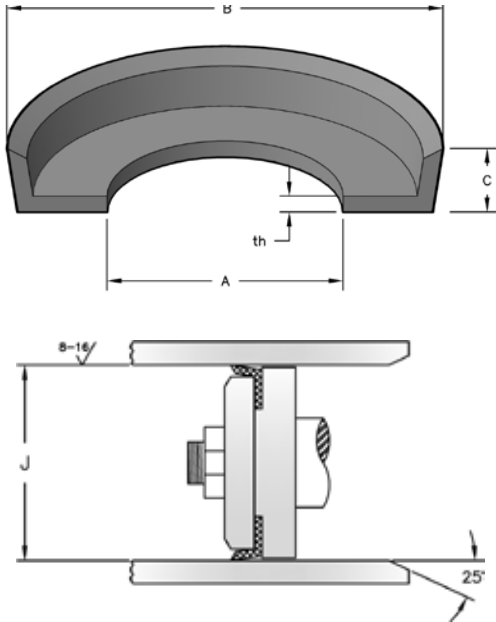


Part Number	A Nom. ID	B Nom. OD	C Nom. Ht	J BORE DIAMETER	C LIP HEIGHT	th THICKNESS	List Price
8050-000	N/A	1/2	1/4	.500	.250	.09375	\$7.59
8100-000	N/A	1	1/2	1.000	.500	.125	8.17
8150-000	N/A	1-1/2	1/2	1.500	.500	.125	11.20
8175-000	N/A	1-3/4	1/2	1.750	.500	.125	13.05
8275-000	N/A	2-3/4	5/8	2.750	.625	.1875	19.71
8300-000	N/A	3	5/8	3.000	.625	.1875	20.25
8325-000	N/A	3-1/4	5/8	3.250	.625	.1875	22.39
8337-000	N/A	3-3/8	5/8	3.375	.625	.1875	24.34
8350-000	N/A	3-1/2	5/8	3.500	.625	.1875	26.33
8400-000	N/A	4	5/8	4.000	.625	.1875	30.44
8450-000	N/A	4-1/2	5/8	4.500	.625	.1875	39.03
8500-000	N/A	5	5/8	5.000	.625	.1875	39.88
8550-000	N/A	5-1/2	3/4	5.500	.750	.1875	40.72
8600-000	N/A	6	3/4	6.000	.750	.1875	45.49
8650-000	N/A	6-1/2	3/4	6.500	.750	.1875	46.14

STYLE 9000 NEO-FAB PISTON CUPS



Piston cups are constructed of rubberized fabric. Cups with no hole are center punched.



SEAL INFORMATION	
MATERIAL	COTTON FABRIC & RUBBER
TEMPERATURE RANGE	-35° TO +220° F
PRESSURE RANGE	0 TO 2,500 PSI
SPEED	1.5 FT/SEC
PART NUMBER	(Piston Cup Type)(Bore) - (Hole Size)

Part Number	A Nom. ID	B Nom. OD	C Nom. Ht	J BORE DIAMETER	th THICKNESS	List Price
9062-000F	N/A	5/8	5/16	.625	.09375	\$20.82
9075-000F	N/A	3/4	7/16	.750	.09375	6.13
9087-000F	N/A	7/8	3/8	.875	.09375	11.53
9100-000F	N/A	1	7/16	1.000	.09375	20.75
9100-025F	1/4	1	7/16	1.000	.09375	6.44
9100-037F	3/8	1	7/16	1.000	.09375	18.84
9100-050F	1/2	1	7/16	1.000	.09375	6.44
9112-000F	N/A	1-1/8	7/16	1.125	.09375	7.38
9125-000F	N/A	1-1/4	7/16	1.250	.09375	7.70
9125-037F	3/8	1-1/4	7/16	1.250	.09375	7.70
9137-000F	N/A	1-3/8	7/16	1.375	.09375	7.59
9137-062F	5/8	1-3/8	7/16	1.375	.09375	7.59
9150-000F	N/A	1-1/2	1/2	1.500	.125	9.08
9150-037F	3/8	1-1/2	1/2	1.500	.125	9.08
9150-062F	5/8	1-1/2	1/2	1.500	.125	9.08
9162-000F	N/A	1-5/8	1/2	1.625	.125	22.23
9175-000F	N/A	1-3/4	1/2	1.750	.125	10.42
9175-062F	5/8	1-3/4	1/2	1.750	.125	10.42
9175-069F	11/16	1-3/4	1/2	1.750	.125	10.42
9187-000F	N/A	1-7/8	1/2	1.875	.125	10.77
9187-062F	5/8	1-7/8	1/2	1.875	.125	10.77
9200-000F	N/A	2	1/2	2.000	.125	11.18
9200-037F	3/8	2	1/2	2.000	.125	11.18
9200-050F	1/2	2	1/2	2.000	.125	11.18
9200-062F	5/8	2	1/2	2.000	.125	11.18
9200-100F	1	2	1/2	2.000	.125	11.18
9212-000F	N/A	2-1/8	1/2	2.125	.125	14.09
9225-000F	N/A	2-1/4	1/2	2.250	.125	11.67
9225-075F	3/4	2-1/4	1/2	2.250	.125	11.67
9225-100F	1	2-1/4	1/2	2.250	.125	11.67

STYLE 9000 NEO-FAB PISTON CUPS

Part Number	A Nom. ID	B Nom. OD	C Nom. Ht	J BORE DIAMETER	th THICKNESS	List Price
9237-000F	N/A	2-3/8	1/2	2.375	.125	11.67
9237-050F	1/2	2-3/8	1/2	2.375	.125	11.67
9237-100F	1	2-3/8	1/2	2.375	.125	11.67
9250-000F	N/A	2-1/2	1/2	2.500	.125	11.62
9250-037F	3/8	2-1/2	1/2	2.500	.125	12.75
9250-062F	5/8	2-1/2	1/2	2.500	.125	12.75
9250-075F	3/4	2-1/2	1/2	2.500	.125	12.75
9250-100F	1	2-1/2	1/2	2.500	.125	12.75
9250-125F	1-1/4	2-1/2	1/2	2.500	.125	12.75
9250-137F	1-3/8	2-1/2	1/2	2.500	.125	12.75
9262-000F	N/A	2-5/8	1/2	2.625	.125	26.42
9275-000F	N/A	2-3/4	1/2	2.750	.125	13.78
9275-075F	3/4	2-3/4	1/2	2.750	.125	13.78
9275-100F	1	2-3/4	1/2	2.750	.125	13.78
9275-150F	1-1/2	2-3/4	1/2	2.750	.125	13.78
9287-000F	N/A	2-7/8	1/2	2.875	.125	36.13
9300-000F	N/A	3	5/8	3.000	.15625	14.89
9300-050F	1/2	3	5/8	3.000	.15625	14.89
9300-100F	1	3	5/8	3.000	.15625	14.89
9300-125F	1-1/4	3	5/8	3.000	.15625	14.89
9300-137F	1-3/8	3	5/8	3.000	.15625	14.89
9300-150F	1-1/2	3	5/8	3.000	.15625	14.89
9300-162F	1-5/8	3	5/8	3.000	.15625	14.89
9300-175F	1-3/4	3	5/8	3.000	.15625	14.89
9300-187F	1-7/8	3	5/8	3.000	.15625	14.89
9312-100F	1	3-1/8	5/8	3.125	.15625	19.93
9325-000F	N/A	3-1/4	5/8	3.250	.15625	18.74
9325-037F	3/8	3-1/4	5/8	3.250	.15625	17.61
9325-050F	1/2	3-1/4	5/8	3.250	.15625	17.61
9325-100F	1	3-1/4	5/8	3.250	.15625	17.61
9337-037F	3/8	3-3/8	5/8	3.375	.15625	48.51
9350-000F	N/A	3-1/2	5/8	3.500	.15625	18.65
9350-025F	1/4	3-1/2	5/8	3.500	.15625	18.65
9350-050F	1/2	3-1/2	5/8	3.500	.15625	18.65
9350-100F	1	3-1/2	5/8	3.500	.15625	18.65
9350-125F	1-1/4	3-1/2	5/8	3.500	.15625	21.64
9350-150F	1-1/2	3-1/2	5/8	3.500	.15625	18.65
9350-187F	1-7/8	3-1/2	5/8	3.500	.15625	18.65
9350-200F	2	3-1/2	5/8	3.500	.15625	21.93
9350-237F	2-3/8	3-1/2	5/8	3.500	.15625	18.65
9362-000F	N/A	3-5/8	5/8	3.625	.15625	26.62
9375-000F	N/A	3-3/4	5/8	3.750	.15625	22.36
9375-050F	1/2	3-3/4	5/8	3.750	.15625	22.36
9375-075F	3/4	3-3/4	5/8	3.750	.15625	19.67
9387-000F	N/A	3-7/8	5/8	3.875	.15625	47.19
9400-000F	N/A	4	5/8	4.000	.15625	21.01
9400-050F	1/2	4	5/8	4.000	.15625	21.01
9400-150F	1-1/2	4	5/8	4.000	.15625	21.01
9400-162F	1-5/8	4	5/8	4.000	.15625	21.01
9400-175F	1-3/4	4	5/8	4.000	.15625	25.33

STYLE 9000 NEO-FAB PISTON CUPS



Part Number	A Nom. ID	B Nom. OD	C Nom. Ht	J BORE DIAMETER	th THICKNESS	List Price
9400-187F	1-7/8	4	5/8	4.000	.15625	21.01
9400-200F	2	4	5/8	4.000	.15625	21.01
9400-225F	2-1/4	4	5/8	4.000	.15625	21.01
9400-250F	2-1/2	4	5/8	4.000	.15625	21.01
9425-000F	N/A	4-1/4	5/8	4.250	.15625	53.16
9425-137F	1-3/8	4-1/4	5/8	4.250	.15625	25.84
9450-000F	N/A	4-1/2	5/8	4.500	.15625	26.19
9450-075F	3/4	4-1/2	5/8	4.500	.15625	26.19
9450-187F	1-7/8	4-1/2	5/8	4.500	.15625	26.19
9450-225F	2-1/4	4-1/2	5/8	4.500	.15625	26.19
9450-250F	2-1/2	4-1/2	5/8	4.500	.15625	26.19
9475-000F	N/A	4-3/4	5/8	4.750	.15625	56.27
9475-050F	1/2	4-3/4	5/8	4.750	.15625	41.13
9500-000F	N/A	5	3/4	5.000	.1875	32.00
9500-100F	1	5	3/4	5.000	.1875	32.00
9500-125F	1-1/4	5	3/4	5.000	.1875	32.00
9500-250F	2-1/2	5	3/4	5.000	.1875	32.00
9525-050F	1/2	5-1/4	3/4	5.250	.1875	33.05
9550-000F	N/A	5-1/2	3/4	5.500	.1875	33.67
9550-125F	1-1/4	5-1/2	3/4	5.500	.1875	35.37
9550-200F	2	5-1/2	3/4	5.500	.1875	35.37
9575-000F	N/A	5-3/4	3/4	5.750	.1875	45.42
9600-000F	N/A	6	3/4	6.000	.1875	47.87
9600-050F	1/2	6	3/4	6.000	.1875	47.87
9600-200F	2	6	3/4	6.000	.1875	47.87
9600-250F	2-1/2	6	3/4	6.000	.1875	47.87
9600-350F	3-1/2	6	3/4	6.000	.1875	47.87
9650-000F	N/A	6-1/2	3/4	6.500	.1875	53.52
9675-000F	N/A	6-3/4	3/4	6.750	.1875	57.74
9700-000F	N/A	7	3/4	7.000	.1875	57.74
9700-125F	1-1/4	7	3/4	7.000	.1875	57.74
9700-200F	2	7	3/4	7.000	.1875	57.74
9700-400F	4	7	3/4	7.000	.1875	57.74
9700-275F	2-3/4	7	1	7.000	.219	57.74
9725-162F	1-5/8	7-1/4	3/4	7.250	.1875	64.23
9800-000F	N/A	8	1	8.000	.1875	68.33
9800-100F	1	8	1	8.000	.1875	89.79
9800-125F	1-1/4	8	1	8.000	.1875	68.33
9900-000F	N/A	9	1	9.000	.1875	100.98
91000-100F	1	10	1	10.000	.1875	112.32
91200-000F	N/A	12	1	12.000	.1875	148.46

Note: These piston cups are specially sized for use in EDBRO Cylinders.

Part Number	A Nom. ID	B Nom. OD	C Nom. Ht	J BORE DIAMETER	th THICKNESS	List Price
9200-062ED	5/8	2	7/8	2.000	.21875	\$14.17
9262-087ED	7/8	2-5/8	7/8	2.625	.21875	26.08
9325-100ED	1	3-1/4	7/8	3.250	.21875	28.11
9387-112ED	1-1/8	3-7/8	7/8	3.875	.21875	32.14
9475-125ED	1-1/4	4-3/4	7/8	4.750	.21875	38.67
9575-150ED	1-1/2	5-3/4	7/8	5.750	.21875	45.88

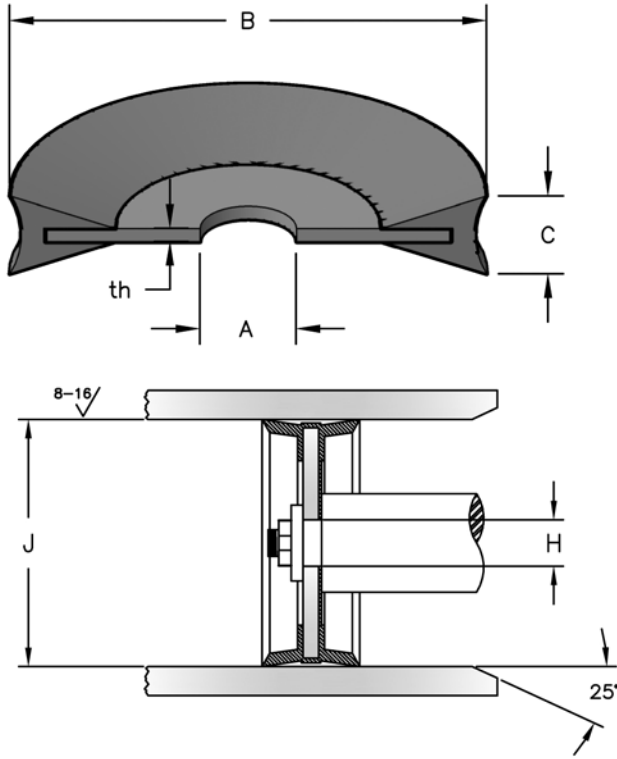
SPECIAL ORDER STYLE 9000 PISTON CUPS

Part Number	List Price	Part Number	List Price	Part Number	List Price	Part Number	List Price
9062-018F	\$ 10.82	9225-062F	\$ 25.89	9325-075F	\$ 40.95	9450-050F	\$ 56.02
9062-025F	11.40	9225-112F	26.46	9325-125F	41.53	9475-087F	56.60
9100-043F	11.97	9225-125F	27.04	9325-200F	42.11	9475A-125F	57.18
9112-069F	12.55	9225-131F	27.62	9327-100F	42.69	9500-050F	57.76
9121-075F	13.13	9237-069F	28.20	9328-100F	43.27	9500-087F	58.34
9125-025F	13.71	9237-075F	28.78	9350-075F	43.85	9500-150F	58.92
9137-056F	14.29	9237-087F	29.36	9350-212F	44.43	9500-350F	59.50
9137-069F	14.87	9237-125F	29.94	9354-100F	45.01	9525-375F	60.08
9150-025F	15.45	9250-050F	30.52	9362-062F	45.59	9550-075F	60.66
9150-087F	16.03	9250-150F	31.10	9362-081F	46.17	9551-400F	61.82
9162-037F	16.61	9262-050F	31.68	9362-125F	46.75	9575-150F	62.40
9162-040F	17.19	9262-075F	32.26	9362-175F	47.33	9600-087F	62.98
9162-048F	17.77	9262-150F	32.84	9362-237F	47.91	9600-100F	63.56
9169-069F	18.35	9275-087F	33.42	9362-256F	48.49	9600-150F	64.14
9175-037F	18.93	9276-050F	34.00	9375-062F	49.07	9650-400F	64.72
9175-040F	19.51	9276-069F	34.58	9375-069F	49.65	9650-450F	65.30
9175-042F	20.09	9287-100F	35.16	9387-075F	50.23	9700-087F	65.88
9175-075F	20.67	9287A-100F	35.74	9387-087F	50.81	9700-100F	66.46
9175-100F	21.25	9291-100F	36.32	9400-075F	51.39	9700-137F	67.04
9178-065F	21.83	9300-081F	36.90	9400-087F	51.97	9700-250F	67.62
9200-047F	22.41	9301-075F	37.48	9400-100F	52.55	9825-250F	68.78
9200-075F	22.99	9301-150F	38.06	9401-087F	53.13	9825-275F	69.36
9200-112F	23.57	9312-047F	38.64	9412-100F	53.71		
9200-125F	24.15	9312-087F	39.22	9425-069F	54.29		
9201-125F	24.73	9313-087F	39.80	9425-075F	54.87		
9212-037F	25.31	9325-069F	40.38	9425-250F	55.44		

ONE PIECE DOUBLE ACTING PISTON CUPS



This complete piston cup with a simple, one-piece construction serves the same purpose as a multi-assembly unit and is more economical with easy maintenance, dependability and long life. The unique piston cup consists of homogeneous rubber bonded to a zinc-coated steel plate. The center hole may be enlarged to accommodate larger piston rods. Recommended for pneumatic and low-pressure hydraulic applications.



SEAL INFORMATION	
MATERIAL	RUBBER LIP, ZINC COATED STEEL PLATE
TEMPERATURE RANGE	-40° TO +220° F
PRESSURE RANGE	0 TO 800 PSI
SPEED	3 FT/SEC
PART NUMBER	(Prefix) - (Bore Size)

Part Number	A Nom. ID	B Nom. OD	C Nom. Ht	J BORE DIAMETER	H HOLE SIZE	C LIP HEIGHT	th THICKNESS	List Price
DAPC-100	1/4	1	3/8	1.000	.250	.375	.09375	\$25.68
DAPC-125	1/4	1-1/4	1/2	1.250	.250	.500	.09375	30.82
DAPC-137	1/4	1-3/8	1/2	1.375	.250	.500	.09375	26.52
DAPC-150	1/4	1-1/2	1/2	1.500	.250	.500	.09375	28.16
DAPC-175	1/4	1-3/4	1/2	1.750	.250	.500	.09375	28.16
DAPC-200	3/8	2	9/16	2.000	.375	.5625	.125	28.16
DAPC-225	3/8	2-1/4	9/16	2.250	.375	.5625	.125	29.00
DAPC-250	3/8	2-1/2	9/16	2.500	.375	.5625	.125	36.26
DAPC-300	1/2	3	9/16	3.000	.500	.5625	.125	41.05
DAPC-325	1/2	3-1/4	9/16	3.250	.500	.5625	.125	63.77
DAPC-350	1/2	3-1/2	3/4	3.500	.500	.750	.1875	61.09
DAPC-400	1/2	4	3/4	4.000	.500	.750	.1875	72.54
DAPC-450	3/4	4-1/2	3/4	4.500	.750	.750	.1875	72.45
DAPC-500	3/4	5	15/16	5.000	.750	.9375	.250	130.53
DAPC-600	3/4	6	15/16	6.000	.750	.9375	.250	141.62