

## Wipers

### Technical details

#### Operating conditions

Maximum Speed	1.0 m/sec	3.0 ft/sec
Temperature Range	-40°C +100°C	-40°F +212°F

#### Surface roughness

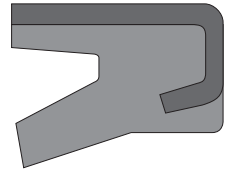
	$\mu\text{mRa}$	$\mu\text{mRt}$	$\mu\text{inCLA}$	$\mu\text{inRMS}$
Dynamic Sealing Face $\varnothing d_1$	0.1 <-> 0.4	4 max	4 <-> 16	5 <-> 18
Static Sealing Face $\varnothing D_1$	1.6 max	10 max	63 max	70 max
Static Housing Faces $L_1$	3.2 max	16 max	125 max	140 max

#### Chamfers & Radii

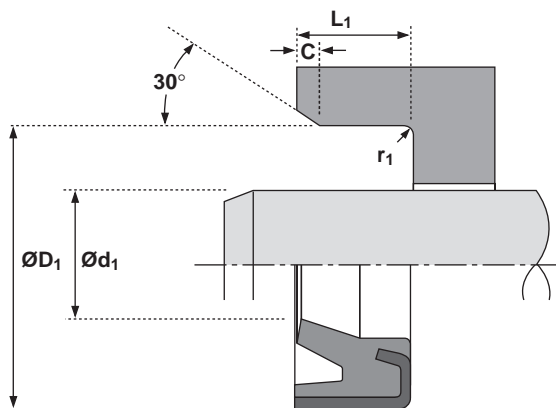
Min Chamfer C in	0.040
Max Fillet Rad $r_1$ in	0.016

#### Tolerances

	$\varnothing d_1$	$\varnothing D_1$	$L_1$
in	f9	H8	+0.020 -0



# 862



### Design

The Hallite 862 is a metal cased wiper, designed to press-fit into open groove housings. Hallite's 862 comprises a precisely trimmed polyurethane wiping element which is securely bonded to a metal case treated with a rust inhibitor. Capable of operating in dirty conditions, the proportions of the polyurethane wiping lip allow it to follow the side movement of the rod and to clear away heavily deposited dirt.

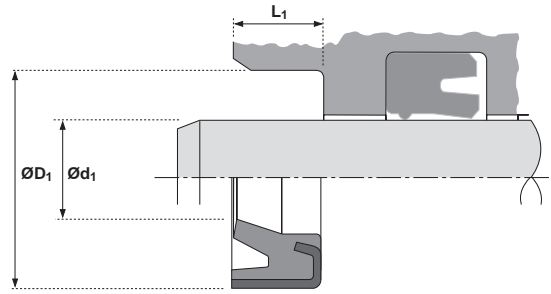
Suitable for light, medium and heavy duty applications, the wiper has been designed to provide ease of installation and offers excellent durability in service.

The Hallite 862 offers a range of sizes suitable for standard American inch housings.

### Features

- Ease of assembly
- Long life
- Precision trimmed wiping lip
- Metal case treated with a rust inhibitor
- Wide range of application uses

# 862



Ød <sub>1</sub>	TOL f9	ØD <sub>1</sub>	TOL H8	L <sub>1</sub>	TOL	PART No.
0.625	-0.0006 -0.0023	1.125	+0.0012 +0.0000	0.313	+0.020 -0.000	6960000
0.750	-0.0008 -0.0028	1.250	+0.0016 +0.0000	0.313	+0.020 -0.000	6960010
1.000	-0.0008 -0.0028	1.500	+0.0016 +0.0000	0.313	+0.020 -0.000	6960020
1.125	-0.0008 -0.0028	1.625	+0.0016 +0.0000	0.313	+0.020 -0.000	6960030
1.250	-0.0010 -0.0034	1.750	+0.0016 +0.0000	0.25	+0.020 -0.000	6960260
1.250	-0.0010 -0.0034	1.750	+0.0016 +0.0000	0.313	+0.020 -0.000	6960040
1.375	-0.0010 -0.0034	1.875	+0.0016 +0.0000	0.313	+0.020 -0.000	6960050
1.500	-0.0010 -0.0034	2.000	+0.0018 +0.0000	0.25	+0.020 -0.000	6960270
1.500	-0.0010 -0.0034	2.000	+0.0018 +0.0000	0.313	+0.020 -0.000	6960060
1.625	-0.0010 -0.0034	2.125	+0.0018 +0.0000	0.313	+0.020 -0.000	6960070
1.750	-0.0010 -0.0034	2.250	+0.0018 +0.0000	0.313	+0.020 -0.000	6960080
2.000	-0.0012 -0.0041	2.500	+0.0018 +0.0000	0.313	+0.020 -0.000	6960090
2.250	-0.0012 -0.0041	2.750	+0.0018 +0.0000	0.313	+0.020 -0.000	6960100
2.500	-0.0012 -0.0041	3.000	+0.0018 +0.0000	0.313	+0.020 -0.000	6960110

Ød <sub>1</sub>	TOL f9	ØD <sub>1</sub>	TOL H8	L <sub>1</sub>	TOL	PART No.
2.750	-0.0012 -0.0041	3.250	+0.0022 +0.0000	0.313	+0.020 -0.000	6960120
3.000	-0.0012 -0.0041	3.500	+0.0022 +0.0000	0.313	+0.020 -0.000	6960130
3.250	-0.0014 -0.0048	3.750	+0.0022 +0.0000	0.313	+0.020 -0.000	6960140
3.250	-0.0014 -0.0048	3.875	+0.0022 +0.0000	0.313	+0.020 -0.000	6960150
3.500	-0.0014 -0.0048	4.000	+0.0022 +0.0000	0.313	+0.020 -0.000	6960160
3.500	-0.0014 -0.0048	4.125	+0.0022 +0.0000	0.313	+0.020 -0.000	6960170
3.750	-0.0014 -0.0048	4.375	+0.0022 +0.0000	0.313	+0.020 -0.000	6960180
4.000	-0.0014 -0.0048	4.625	+0.0022 +0.0000	0.313	+0.020 -0.000	6960190
4.000	-0.0014 -0.0048	4.750	+0.0025 +0.0000	0.313	+0.020 -0.000	6960200
4.000	-0.0014 -0.0048	5.000	+0.0025 +0.0000	0.500	+0.020 -0.000	6960210
4.500	-0.0014 -0.0048	5.125	+0.0025 +0.0000	0.313	+0.020 -0.000	6960220
4.500	-0.0014 -0.0048	5.500	+0.0025 +0.0000	0.500	+0.020 -0.000	6960230
5.000	-0.0016 -0.0056	5.625	+0.0025 +0.0000	0.313	+0.020 -0.000	6960240
5.000	-0.0016 -0.0056	6.000	+0.0025 +0.0000	0.500	+0.020 -0.000	6960250