

Wipers

Technical details

Metric

Inch

Operating conditions

Maximum Speed	4.0 m/sec
Temperature Range	-45°C +110°C

12.0 ft/sec
-50°F +230°F

Surface roughness

	µmRa	µmRt	µinCLA	µinRMS
Dynamic Sealing Face $\varnothing d_1$	0.1 <-> 0.4	4 max	4 <-> 16	5 <-> 18
Static Sealing Face $\varnothing D_1 \varnothing D_2$	1.6 max	10 max	63 max	70 max
Static Housing Faces L_1	3.2 max	16 max	125 max	140 max

Radii

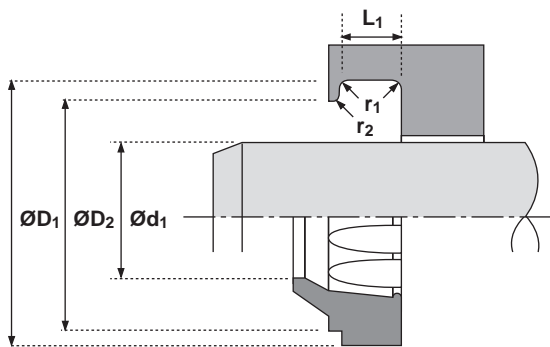
Max Fillet Rad r_1 mm	0.4
Max Fillet Rad r_2 mm	0.2

Tolerances

	$\varnothing d_1$	$\varnothing D_1$	$\varnothing D_2$	L_1
mm	f9	H11	H11	+0.2 -0



834



Design

The Hallite 834 wiper is designed to snap into a standard housing and provide reliable medium duty dirt exclusion. The proportions of the wiping lip ensure that it remains in contact with the rod surface to remove all deposits of mud and other forms of contamination except for those found in the heavy duty environment such as steel works and cement factories.

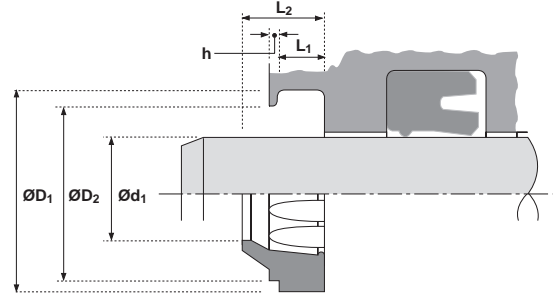
The inside diameter of the seal is provided with ribs to prevent the possibility of blow out due to pressure trapping of the main rod seal.

The Hallite 834 is precision moulded in Hythane® 181 for maximum wear resistance.

Features

- Snug fit provides effective sealing
- Low wear – long life
- Easy installation
- Pressure relief ribs

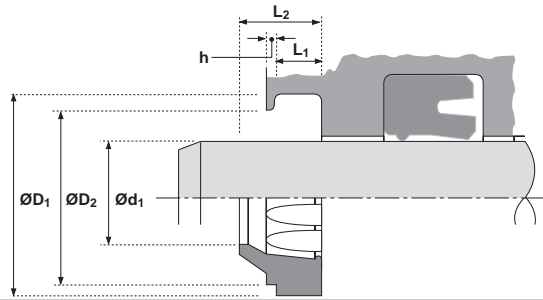
834



Ød ₁	TOL f9	ØD ₁	TOL H11	ØD ₂	TOL H11	L ₁ +0.2 - 0	L ₂	h	PART No.
18	-0.016 -0.059	26.0	+0.13 +0.00	24.0	+0.13 +0.00	4.0	7.0	1.0	4367200
20	-0.020 -0.072	28.0	+0.13 +0.00	26.0	+0.13 +0.00	4.0	7.0	1.0	4391300
22	-0.020 -0.072	30.0	+0.13 +0.00	28.0	+0.13 +0.00	4.0	7.0	1.0	4370600
25	-0.020 -0.072	33.0	+0.16 +0.00	31.0	+0.16 +0.00	4.0	7.0	1.0	4343900
26	-0.020 -0.072	34.0	+0.16 +0.00	32.0	+0.16 +0.00	4.0	7.0	1.0	4514400
28	-0.020 -0.072	36.0	+0.16 +0.00	34.0	+0.16 +0.00	4.0	7.0	1.0	4373500
30	-0.020 -0.072	38.0	+0.16 +0.00	36.0	+0.16 +0.00	4.0	7.0	1.0	4378800
32	-0.025 -0.087	40.0	+0.16 +0.00	38.0	+0.16 +0.00	4.0	7.0	1.0	4373600
35	-0.025 -0.087	43.0	+0.16 +0.00	41.0	+0.16 +0.00	4.0	7.0	1.0	4398400
36	-0.025 -0.087	44.0	+0.16 +0.00	42.0	+0.16 +0.00	4.0	7.0	1.0	4370700
37	-0.025 -0.087	45.0	+0.16 +0.00	43.0	+0.16 +0.00	4.0	7.0	1.0	4514500
38	-0.025 -0.087	46.0	+0.16 +0.00	44.0	+0.16 +0.00	4.0	7.0	1.0	4515400
40	-0.025 -0.087	48.0	+0.16 +0.00	46.0	+0.16 +0.00	4.0	7.0	1.0	4378900
45	-0.025 -0.087	53.0	+0.19 +0.00	51.0	+0.19 +0.00	4.0	7.0	1.0	4370800
46	-0.025 -0.087	54.0	+0.19 +0.00	52.0	+0.19 +0.00	4.0	7.0	1.0	4515200
48	-0.025 -0.087	56.0	+0.19 +0.00	54.0	+0.19 +0.00	4.0	7.0	1.0	4432700
50	-0.025 -0.087	58.0	+0.19 +0.00	56.0	+0.19 +0.00	4.0	7.0	1.0	4379000
55	-0.030 -0.104	63.0	+0.19 +0.00	61.0	+0.19 +0.00	4.0	7.0	1.0	4515100
56	-0.030 -0.104	64.0	+0.19 +0.00	62.0	+0.19 +0.00	4.0	7.0	1.0	4385100
60	-0.030 -0.104	68.0	+0.19 +0.00	66.0	+0.19 +0.00	4.0	7.0	1.0	4385200

Wipers metric

834



Ød ₁	TOL f9	ØD ₁	TOL H11	ØD ₂	TOL H11	L ₁ +0.2 - 0	L ₂	h	PART No.
63	-0.030 -0.104	71.0	+0.19 +0.00	69.0	+0.19 +0.00	4.0	7.0	1.0	4385300
65	-0.030 -0.104	73.0	+0.19 +0.00	71.0	+0.19 +0.00	4.0	7.0	1.0	4394200
70	-0.030 -0.104	78.0	+0.19 +0.00	76.0	+0.19 +0.00	4.0	7.0	1.0	4373700
75	-0.030 -0.104	83.0	+0.22 +0.00	81.0	+0.22 +0.00	4.0	7.0	1.0	4711900
80	-0.030 -0.104	88.0	+0.22 +0.00	86.0	+0.22 +0.00	4.0	7.0	1.0	4398500
90	-0.036 -0.123	98.0	+0.22 +0.00	96.0	+0.22 +0.00	4.0	7.0	1.0	4398600
100	-0.036 -0.123	108.0	+0.22 +0.00	106.0	+0.22 +0.00	4.0	7.0	1.0	4394300
110	-0.036 -0.123	118.0	+0.22 +0.00	116.0	+0.22 +0.00	4.0	7.0	1.0	4448200
140	-0.043 -0.143	152.0	+0.25 +0.00	149.0	+0.25 +0.00	5.5	10.0	1.0	4456100