

Wipers

Technical details

Operating conditions

	Metric	Inch
Maximum Speed	4.0 m/sec	12.0 ft/sec
Temperature Range	-45°C +110°C	-50°F +230°F

Surface roughness

	μmRa	μmRt	μinCLA	μinRMS
Dynamic Sealing Face $\varnothing d_1$	0.1 <-> 0.4	4 max	4 <-> 16	5 <-> 18
Static Sealing Face $\varnothing D_1 \varnothing D_2$	1.6 max	10 max	63 max	70 max
Static Housing Faces L_1	3.2 max	16 max	125 max	140 max

Radii

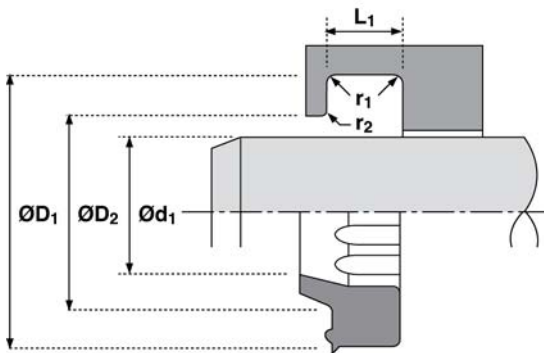
Max Fillet Rad r_1 in	0.016
Max Fillet Rad r_2 in	0.016

Tolerances

	$\varnothing d_1$	$\varnothing D_1$	$\varnothing D_2$	L_1
in	f9	± 0.003	± 0.005	+0.004 -0



520



Design

The Hallite 520 snap-in rod wiper has been designed to fit "Universal" style housings. The proportions of the wiping lip ensure that contact is maintained with the surface of the rod to remove heavily deposited mud, ice, etc. The outside diameter contacts the housing diameter and has a sealing lip to prevent moisture entering the groove. The moulded ribs on the internal diameter provides extra stability to the seal and help prevent pressure trapping.

The Hallite 520 is available in two polyurethane or a polyester based compound and can be used with a split housing, however the majority can be installed in a blind housing with care.

Features

- **'Crush Lip' and 'Face Bead'**
provide effective seal on housing
- **Low wear long life**
- **Cost effective**
- **Pressure relief ribs**
- **Polyester material for heavy duty applications**

Material option

The part numbers shown are for 93 IRHD polyurethane. If you require this product in 55D polyester or 96 IRHD Hallite 361 polyurethane, please change the last digit of the part number when ordering.

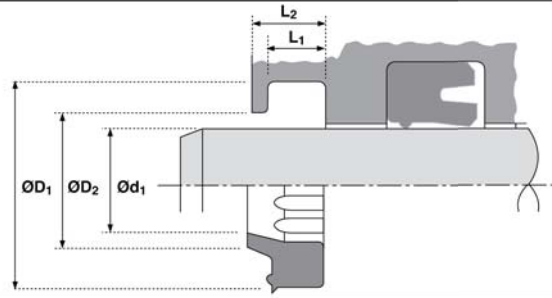
For example:

8880910 = polyurethane

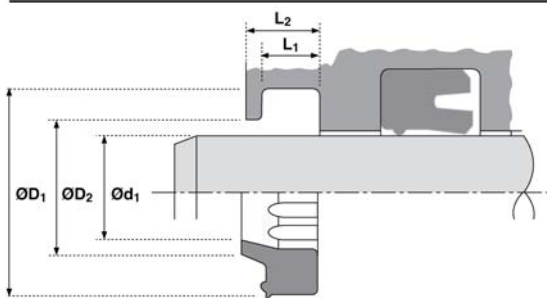
8880911 = polyester

8880916 = Hallite 361

520



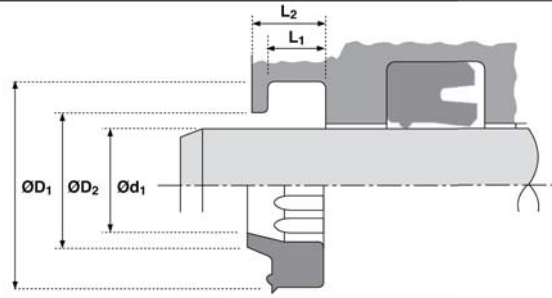
Ød1	TOL f9	ØD1	TOL	ØD2	TOL	L1 +0.004 -0	L2	PART No.
0.375	-0.0005 -0.0019	0.625	+0.003 -0.003	0.540	+0.005 -0.005	0.125	0.187	8889010
0.500	-0.0005 -0.0019	0.750	+0.003 -0.003	0.665	+0.005 -0.005	0.125	0.187	8880210
0.563	-0.0006 -0.0023	0.844	+0.003 -0.003	0.736	+0.005 -0.005	0.125	0.187	8888910
0.625	-0.0006 -0.0023	0.875	+0.003 -0.003	0.790	+0.005 -0.005	0.125	0.187	8880310
0.750	-0.0008 -0.0028	1.125	+0.003 -0.003	1.000	+0.005 -0.005	0.187	0.281	8880410
0.875	-0.0008 -0.0028	1.250	+0.003 -0.003	1.125	+0.005 -0.005	0.187	0.281	8880510
1.000	-0.0008 -0.0028	1.375	+0.003 -0.003	1.250	+0.005 -0.005	0.187	0.281	8880610
1.125	-0.0008 -0.0028	1.500	+0.003 -0.003	1.375	+0.005 -0.005	0.187	0.281	8880710
1.187	-0.0008 -0.0028	1.562	+0.003 -0.003	1.437	+0.005 -0.005	0.187	0.281	8880810
1.250	-0.0010 -0.0034	1.625	+0.003 -0.003	1.500	+0.005 -0.005	0.187	0.281	8880910
1.375	-0.0010 -0.0034	1.750	+0.003 -0.003	1.625	+0.005 -0.005	0.187	0.281	8881110
1.500	-0.0010 -0.0034	1.875	+0.003 -0.003	1.750	+0.005 -0.005	0.187	0.281	8881210
1.625	-0.0010 -0.0034	2.000	+0.003 -0.003	1.875	+0.005 -0.005	0.187	0.281	8881310
1.750	-0.0010 -0.0034	2.125	+0.003 -0.003	2.000	+0.005 -0.005	0.187	0.281	8881410
1.875	-0.0010 -0.0034	2.250	+0.003 -0.003	2.125	+0.005 -0.005	0.187	0.281	8887410
2.000	-0.0012 -0.0041	2.500	+0.003 -0.003	2.332	+0.005 -0.005	0.250	0.375	8881510
2.250	-0.0012 -0.0041	2.750	+0.003 -0.003	2.582	+0.005 -0.005	0.250	0.375	8881610
2.375	-0.0012 -0.0041	2.875	+0.003 -0.003	2.707	+0.005 -0.005	0.250	0.375	8887210
2.500	-0.0012 -0.0041	3.000	+0.003 -0.003	2.832	+0.005 -0.005	0.250	0.375	8881710
2.750	-0.0012 -0.0041	3.250	+0.003 -0.003	3.082	+0.005 -0.005	0.250	0.375	8881810
3.000	-0.0012 -0.0041	3.500	+0.003 -0.003	3.332	+0.005 -0.005	0.250	0.375	8881910
3.250	-0.0014 -0.0048	3.750	+0.003 -0.003	3.582	+0.005 -0.005	0.250	0.375	8882010
3.500	-0.0014 -0.0048	4.000	+0.003 -0.003	3.832	+0.005 -0.005	0.250	0.375	8882110



520

Ød ₁	TOL f ₉	ØD ₁	TOL	ØD ₂	TOL	L ₁ +0.004 -0	L ₂	PART No.
3.750	-0.0014 -0.0048	4.250	+0.003 -0.003	4.082	+0.005 -0.005	0.250	0.375	8882210
3.875	-0.0014 -0.0048	4.375	+0.003 -0.003	4.207	+0.005 -0.005	0.250	0.375	8888810
4.000	-0.0014 -0.0048	4.500	+0.003 -0.003	4.332	+0.005 -0.005	0.250	0.375	8882310
4.250	-0.0014 -0.0048	4.750	+0.003 -0.003	4.582	+0.005 -0.005	0.250	0.375	8882410
4.500	-0.0014 -0.0048	5.000	+0.003 -0.003	4.832	+0.005 -0.005	0.250	0.375	8887510
4.500	-0.0014 -0.0048	5.250	+0.003 -0.003	4.998	+0.005 -0.005	0.375	0.562	8882510
4.750	-0.0014 -0.0048	5.500	+0.003 -0.003	5.248	+0.005 -0.005	0.375	0.562	8887310
4.875	-0.0014 -0.0048	5.625	+0.003 -0.003	5.373	+0.005 -0.005	0.375	0.562	8881010
5.000	-0.0017 -0.0056	5.500	+0.003 -0.003	5.332	+0.005 -0.005	0.250	0.375	8887910
5.000	-0.0017 -0.0056	5.750	+0.003 -0.003	5.498	+0.005 -0.005	0.375	0.562	8882610
5.250	-0.0017 -0.0056	6.000	+0.003 -0.003	5.748	+0.005 -0.005	0.375	0.562	8882710
5.500	-0.0017 -0.0056	6.250	+0.003 -0.003	5.998	+0.005 -0.005	0.375	0.562	8882810
5.750	-0.0017 -0.0056	6.500	+0.003 -0.003	6.248	+0.005 -0.005	0.375	0.562	8889210
5.875	-0.0017 -0.0056	6.625	+0.003 -0.003	6.373	+0.005 -0.005	0.375	0.562	8887010
6.000	-0.0017 -0.0056	6.500	+0.003 -0.003	6.332	+0.005 -0.005	0.250	0.375	8888010
6.000	-0.0017 -0.0056	6.750	+0.003 -0.003	6.498	+0.005 -0.005	0.375	0.562	8882910
6.500	-0.0017 -0.0056	7.250	+0.003 -0.003	6.998	+0.005 -0.005	0.375	0.562	8892510
7.000	-0.0017 -0.0056	7.500	+0.003 -0.003	7.332	+0.005 -0.005	0.250	0.375	8888310
7.000	-0.0017 -0.0056	7.750	+0.003 -0.003	7.498	+0.005 -0.005	0.375	0.562	8883210
7.500	-0.0020 -0.0065	8.250	+0.003 -0.003	7.998	+0.005 -0.005	0.375	0.562	8883110
8.000	-0.0020 -0.0065	8.750	+0.003 -0.003	8.498	+0.005 -0.005	0.375	0.562	8883310
8.125	-0.0020 -0.0065	8.625	+0.003 -0.003	8.457	+0.005 -0.005	0.250	0.375	8888410
8.250	-0.0020 -0.0065	9.000	+0.003 -0.003	8.748	+0.005 -0.005	0.375	0.562	8892410

520



Ød ₁	TOL f9	ØD ₁	TOL	ØD ₂	TOL	L ₁ +0.004 -0	L ₂	PART No.
8.500	-0.0020 -0.0065	9.250	+0.003 -0.003	8.998	+0.005 -0.005	0.375	0.562	8888510
9.000	-0.0020 -0.0065	9.750	+0.003 -0.003	9.498	+0.005 -0.005	0.375	0.562	8884510
9.375	-0.0020 -0.0065	9.875	+0.003 -0.003	8.707	+0.005 -0.005	0.250	0.375	8889110
9.500	-0.0020 -0.0065	10.250	+0.003 -0.003	9.998	+0.005 -0.005	0.375	0.562	8885210
10.000	-0.0022 -0.0073	11.000	+0.003 -0.003	10.664	+0.005 -0.005	0.500	0.750	8889610
11.000	-0.0022 -0.0073	12.000	+0.003 -0.003	11.664	+0.005 -0.005	0.500	0.750	8909010
12.000	-0.0022 -0.0073	13.000	+0.003 -0.003	12.664	+0.005 -0.005	0.500	0.750	8888610
14.000	-0.0025 -0.0080	15.000	+0.003 -0.003	14.664	+0.005 -0.005	0.500	0.750	8888710
15.000	-0.0025 -0.0080	16.000	+0.003 -0.003	15.664	+0.005 -0.005	0.500	0.750	8889810