

## Wipers

### Technical details

Metric

Inch

#### Operating conditions

Maximum Speed	1.0 m/sec
Maximum Temperature	-30°C +100°C

3.0 ft/sec
-22°F +212°F

#### Surface roughness

	µmRa	µmRt	µinCLA	µinRMS
Dynamic Sealing Face $\varnothing d_1$	0.1 <> 0.4	4 max	4 <> 16	5 <> 18
Static Sealing Face $\varnothing D_1$ $\varnothing D_2$	2.5 max	16 max	100 max	111 max
Static Housing Faces $L_1$	2.5 max	16 max	100 max	111 max

#### Radii

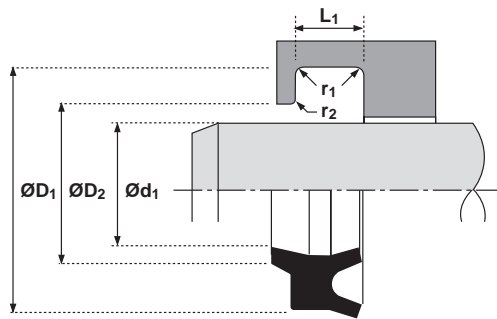
Max Fillet Rad $r_1$ in	0.010
Max Fillet Rad $r_2$ in	0.020

#### Tolerances

	$\varnothing d_1$	$\varnothing D_1$	$\varnothing D_2$	$L_1$
$\varnothing d_1 \leq 0.937$ in	+0 -0.001	+0.002 -0	+0.002 -0	+0.005 -0
$\varnothing d_1 < 3.000$ in	+0 -0.001	+0.003 -0	+0.003 -0	+0.005 -0
$\varnothing d_1 \geq 3.000$ in	+0 -0.002	+0.003 -0	+0.003 -0	+0.005 -0



# 425



### Design

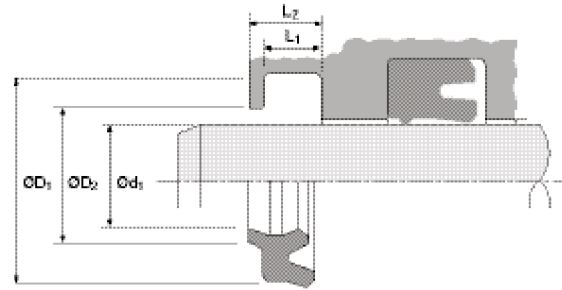
The Hallite 425 H style wiper offers superior wiping and low pressure sealing in one component. When used in conjunction with single lip rod seals, the combination provides effective cylinder sealing.

The Hallite 425 is manufactured in nitrile rubber and is also available in fluoroelastomer material.

### Features

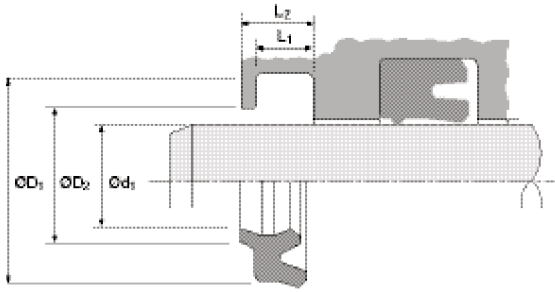
- Variety of materials available
- Twin lip design ensures drier sealing system
- Flexibility

# 425



$\text{Ød}_1$	TOL	$\text{ØD}_1$	TOL	$\text{ØD}_2$	TOL	$L_1$ +0.005 - 0	$L_2$	PART No.
0.500	-0.000 -0.001	0.802	+0.002 -0.000	0.620	+0.002 -0.000	0.203	0.281	6666337
0.625	-0.000 -0.001	0.927	+0.002 -0.000	0.745	+0.002 -0.000	0.203	0.281	6666338
0.750	-0.000 -0.001	1.052	+0.002 -0.000	0.870	+0.002 -0.000	0.203	0.281	6666339
0.875	-0.000 -0.001	1.240	+0.002 -0.000	1.010	+0.002 -0.000	0.218	0.281	6666340
1.000	-0.000 -0.001	1.365	+0.003 -0.000	1.135	+0.002 -0.000	0.218	0.281	6666341
1.125	-0.000 -0.001	1.490	+0.003 -0.000	1.260	+0.002 -0.000	0.218	0.281	6666342
1.250	-0.000 -0.001	1.615	+0.003 -0.000	1.385	+0.002 -0.000	0.218	0.281	6666343
1.375	-0.000 -0.001	1.740	+0.003 -0.000	1.510	+0.002 -0.000	0.218	0.281	6666344
1.500	-0.000 -0.001	1.865	+0.003 -0.000	1.635	+0.002 -0.000	0.218	0.281	6666345
1.625	-0.000 -0.001	1.990	+0.003 -0.000	1.760	+0.002 -0.000	0.218	0.281	6666346
1.750	-0.000 -0.001	2.115	+0.003 -0.000	1.885	+0.003 -0.000	0.218	0.281	6666347
1.875	-0.000 -0.001	2.240	+0.003 -0.000	2.010	+0.003 -0.000	0.218	0.281	6666348
2.000	-0.000 -0.001	2.365	+0.003 -0.000	2.135	+0.003 -0.000	0.218	0.281	6666349
2.125	-0.000 -0.001	2.490	+0.003 -0.000	2.260	+0.003 -0.000	0.218	0.281	6666350
2.250	-0.000 -0.001	2.745	+0.003 -0.000	2.385	+0.003 -0.000	0.281	0.360	6666351
2.500	-0.000 -0.001	2.995	+0.003 -0.000	2.635	+0.003 -0.000	0.281	0.360	6666352
2.750	-0.000 -0.000	3.245	+0.003 -0.000	2.885	+0.003 -0.000	0.281	0.360	6666353
3.000	+0.002 -0.000	3.495	+0.003 -0.000	3.135	+0.003 -0.000	0.281	0.360	6666354
3.250	+0.002 -0.000	3.745	+0.003 -0.000	3.385	+0.003 -0.000	0.281	0.360	6666355
3.500	+0.002 -0.000	3.995	+0.003 -0.000	3.635	+0.003 -0.000	0.281	0.360	6666356

# Wipers inch



# 425

$\text{Ød}_1$	TOL	$\text{ØD}_1$	TOL	$\text{ØD}_2$	TOL	$L_1$ +0.005 - 0	$L_2$	PART No.
3.750	+0.000 -0.002	4.245	+0.003 -0.000	3.885	+0.003 -0.000	0.281	0.360	6666357
4.000	+0.000 -0.002	4.495	+0.003 -0.000	4.135	+0.003 -0.000	0.281	0.360	6666358
4.500	+0.000 -0.002	4.995	+0.003 -0.000	4.635	+0.003 -0.000	0.281	0.375	6666690
5.000	+0.000 -0.002	5.495	+0.003 -0.000	5.135	+0.003 -0.000	0.281	0.375	6666691
5.500	+0.000 -0.002	5.995	+0.003 -0.000	5.635	+0.003 -0.000	0.281	0.375	6666692
7.000	+0.000 -0.002	7.495	+0.003 -0.000	7.135	+0.003 -0.000	0.281	0.375	6666693